



PMA PRODUCT CATALOG
AIRBUS A319 | A320
www.aviatron.com



Revision 003 4/06/2026



Index

[Blanking Duct](#)
[Bonding Tabs](#)
[Compressor Shaft](#)
[Compressor Shaft Assembly](#)
[Compressor Wheel](#)
[Cover](#)
[Cover Fan](#)
[Fan Shroud](#)
[Fan Sleeve](#)
[Fan Wheel](#)
[Filter](#)
[Flange](#)
[Flange Assembly](#)
[Gasket](#)
[Heating Sleeve](#)
[Injector Blade & Fan Assembly](#)
[Injector Cover](#)
[Insert](#)
[Journal Bearings](#)
[Nozzle Ring Shims](#)
[Nut](#)
[O-Ring / Packing](#)

[Plug](#)
[Return Duct](#)
[Sealing Ring](#)
[Seal Cover](#)
[Thrust Bearing Shim](#)
[Shim Flange Injector](#)
[Shouldered Ring](#)
[Shroud](#)
[Spacer](#)
[Stiffener Disc](#)
[Spacer](#)
[Stop](#)
[Support Spring](#)
[Tapping Duct](#)
[Thrust Bearing Shim](#)
[Thrust Bearing](#)
[Tie Rod](#)
[Turbine Scroll Shims](#)
[Turbine Sleeve](#)
[Turbine Wheel](#)
[Washer](#)

PMA PRODUCT CATALOG

AIRBUS A319 | A320

AIRBUS A319 | A320

PMA PRODUCT CATALOG

1263A0000-03

AIR CYCLE MACHINE

1814A0000-02

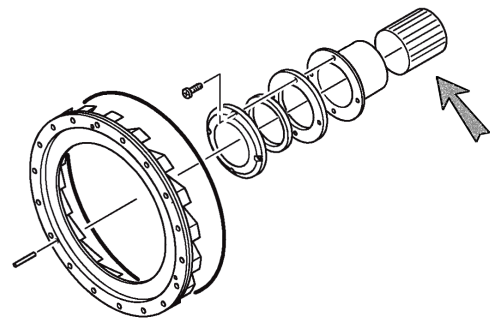
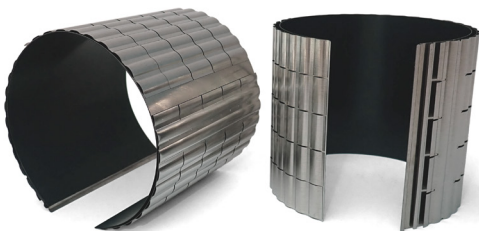
AIR CYCLE MACHINE

1263C0000-03

AIR CYCLE MACHINE

JOURNAL BEARING

Journal Bearing, all bearings are functional tested prior to shipping.



PMA PN
AVUSS975A050

OEM PN
S975A050

DRAMATIC COST
SAVINGS FROM OEM

100%
CUSTOMERS
SATISFACTION

[CONTACT US TODAY](#)

Q

QUALITY

& RELIABILITY

I

INVENTORY

& CONTROL

P

PRICING

& DELIVERY

AIRBUS A319 | A320

PMA PRODUCT CATALOG

1263A0000-03

AIR CYCLE MACHINE

1814A0000-02

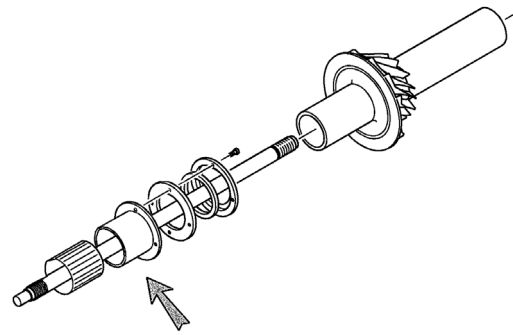
AIR CYCLE MACHINE

1263C0000-03

AIR CYCLE MACHINE

TURBINE SLEEVE

Journal Bearing Sleeve, for use at turbine end of compressor shaft only.



PMA PN
AVUS3455-64

OEM PN
3455-64

DRAMATIC COST
SAVINGS FROM OEM

100%
CUSTOMERS
SATISFACTION

[CONTACT US TODAY](#)

Q

QUALITY

& RELIABILITY

I

INVENTORY

& CONTROL

P

PRICING

& DELIVERY

AIRBUS A319 | A320

PMA PRODUCT CATALOG

1263A0000-03

AIR CYCLE MACHINE

1814A0000-02

AIR CYCLE MACHINE

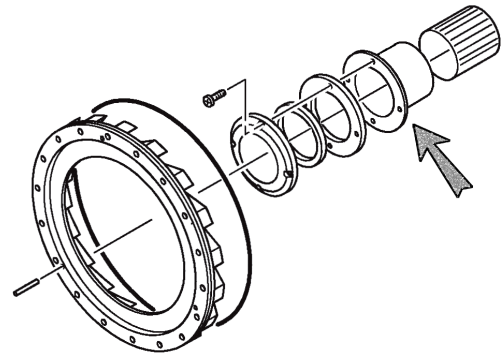
1263C0000-03

AIR CYCLE MACHINE

FAN SLEEVE



Journal Bearing Sleeve, for use at fan end of compressor shaft only.



PMA PN
AVUS3455-65

OEM PN
3455-65

DRAMATIC COST
SAVINGS FROM OEM

100%

CUSTOMERS
SATISFACTION

[CONTACT US TODAY](#)

Q

QUALITY

& RELIABILITY

I

INVENTORY

& CONTROL

P

PRICING

& DELIVERY

AIRBUS A319 | A320

PMA PRODUCT CATALOG

1263A0000-03

AIR CYCLE MACHINE

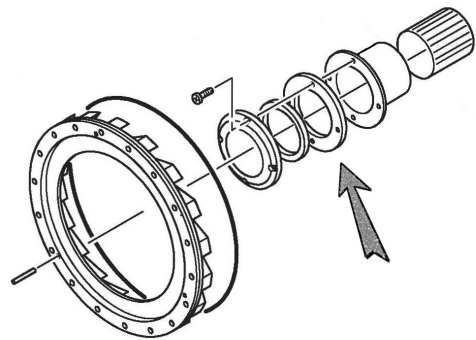
1814A0000-02

AIR CYCLE MACHINE

1263C0000-03

AIR CYCLE MACHINE

SPACER



PMA PN
AVUS3455-37A

OEM PN
3455-37A

DRAMATIC COST
SAVINGS FROM OEM

100%
CUSTOMERS
SATISFACTION

[CONTACT US TODAY](#)

Q

QUALITY

& RELIABILITY

I

INVENTORY

& CONTROL

P

PRICING

& DELIVERY

AIRBUS A319 | A320

PMA PRODUCT CATALOG

1263A0000-03

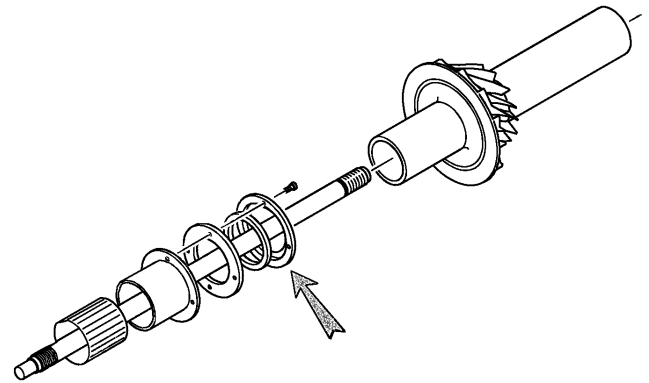
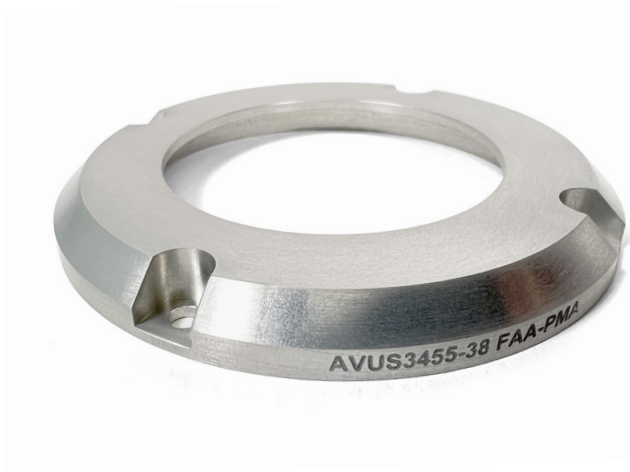
AIR CYCLE MACHINE

1263C0000-03

AIR CYCLE MACHINE

SEAL COVER

Seal Cover.



PMA PN
AVUS3455-38

OEM PN
3455-38

DRAMATIC COST
SAVINGS FROM OEM

100%
CUSTOMERS
SATISFACTION

[CONTACT US TODAY](#)

Q

QUALITY

& RELIABILITY

I

INVENTORY

& CONTROL

P

PRICING

& DELIVERY

AIRBUS A319 | A320

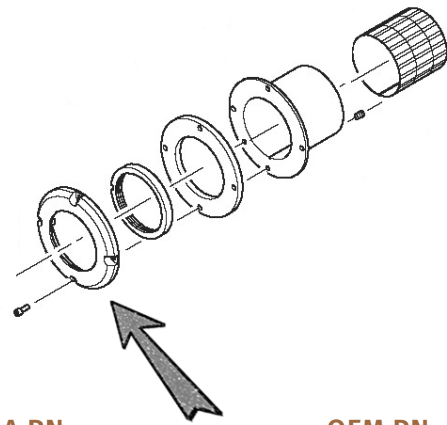
PMA PRODUCT CATALOG

1814A0000-02

AIR CYCLE MACHINE

SEAL COVER

Seal Cover.



PMA PN
AVUS3456-43

OEM PN
3456-43

DRAMATIC COST
SAVINGS FROM OEM

100%
CUSTOMERS
SATISFACTION

[CONTACT US TODAY](#)

Q

QUALITY

& RELIABILITY

I

INVENTORY

& CONTROL

P

PRICING

& DELIVERY

AIRBUS A319 | A320

PMA PRODUCT CATALOG

1263A0000-03

AIR CYCLE MACHINE

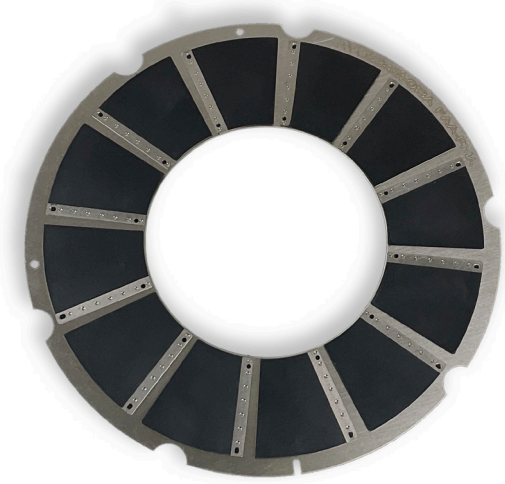
1814A0000-02

AIR CYCLE MACHINE

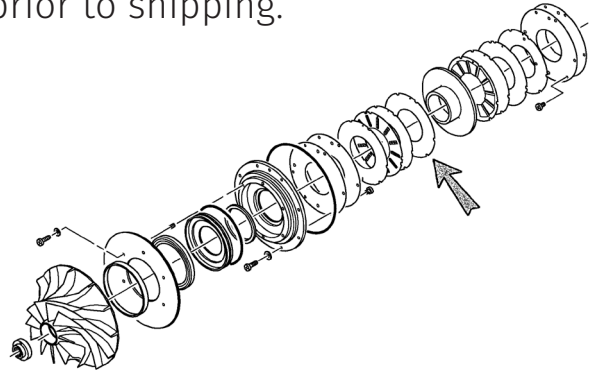
1263C0000-03

AIR CYCLE MACHINE

THRUST BEARING



Thrust Bearing, turbine side.
All bearings are functional tested
prior to shipping.



PMA PN
AVUS3451-018A

OEM PN
3451-018A

DRAMATIC COST
SAVINGS FROM OEM

100%
CUSTOMERS
SATISFACTION

[CONTACT US TODAY](#)

Q

QUALITY

& RELIABILITY

I

INVENTORY

& CONTROL

P

PRICING

& DELIVERY

AIRBUS A319 | A320

PMA PRODUCT CATALOG

1263A0000-03

AIR CYCLE MACHINE

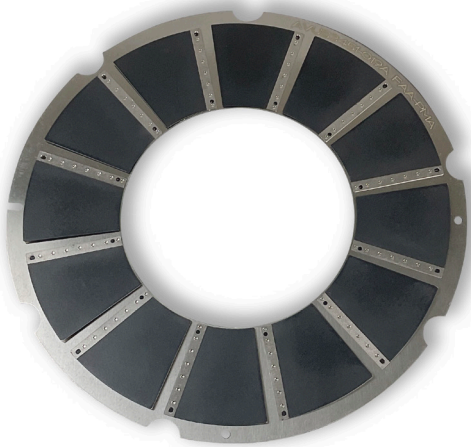
1814A0000-02

AIR CYCLE MACHINE

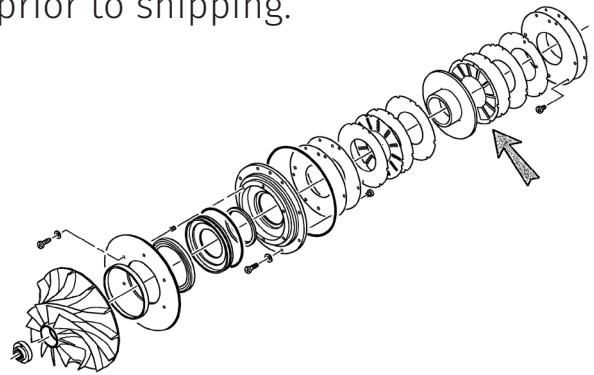
1263C0000-03

AIR CYCLE MACHINE

THRUST BEARING



Thrust Bearing, turbine side.
All bearings are functional tested
prior to shipping.



PMA PN
AVUS3451-019A

OEM PN
3451-019A

DRAMATIC COST
SAVINGS FROM OEM

100%

CUSTOMERS
SATISFACTION

[CONTACT US TODAY](#)

Q

QUALITY

& RELIABILITY

I

INVENTORY

& CONTROL

P

PRICING

& DELIVERY

AIRBUS A319 | A320

PMA PRODUCT CATALOG

1263A0000-03

AIR CYCLE MACHINE

1814A0000-02

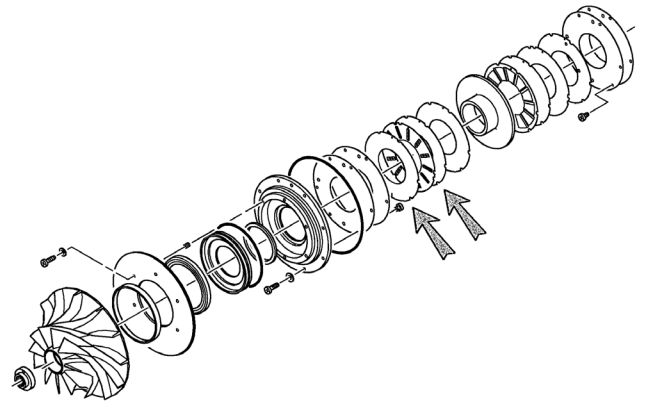
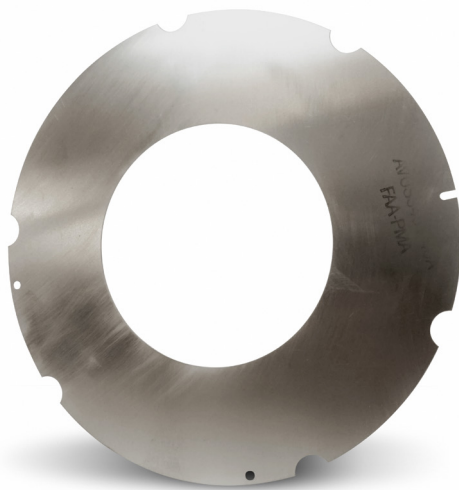
AIR CYCLE MACHINE

1263C0000-03

AIR CYCLE MACHINE

STIFFENER DISC

For use with Thrust Bearing Assembly.



PMA PN
AVUS3451-46A

OEM PN
3451-46A

DRAMATIC COST
SAVINGS FROM OEM

100%
CUSTOMERS
SATISFACTION

[CONTACT US TODAY](#)

Q

QUALITY

& RELIABILITY

I

INVENTORY

& CONTROL

P

PRICING

& DELIVERY

AIRBUS A319 | A320

PMA PRODUCT CATALOG

1263A0000-03

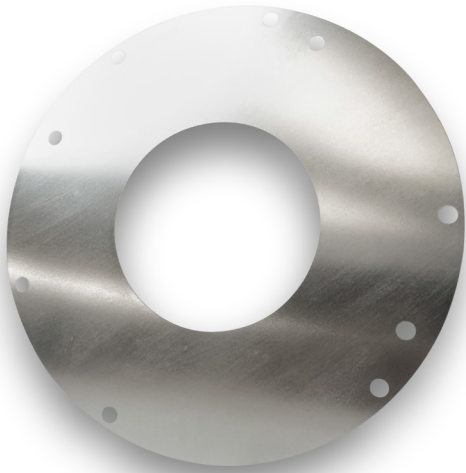
AIR CYCLE MACHINE

1814A0000-02

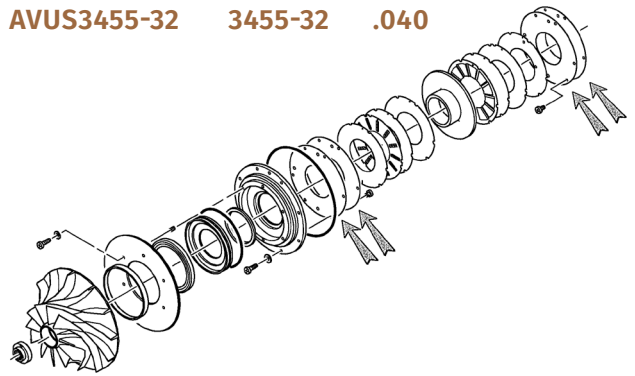
AIR CYCLE MACHINE

SHIM

Thrust Bearing Shim.



PMA PN	OEM PN	THICKNESS
AVUS3455-30	3455-30	.004
AVUS3455-31	3455-31	.020
AVUS3455-32	3455-32	.040



DRAMATIC COST
SAVINGS FROM OEM

100%

CUSTOMERS
SATISFACTION

[CONTACT US TODAY](#)

Q

QUALITY

& RELIABILITY

I

INVENTORY

& CONTROL

P

PRICING

& DELIVERY

AIRBUS A319 | A320

PMA PRODUCT CATALOG

1263A0000-03

AIR CYCLE MACHINE

1814A0000-02

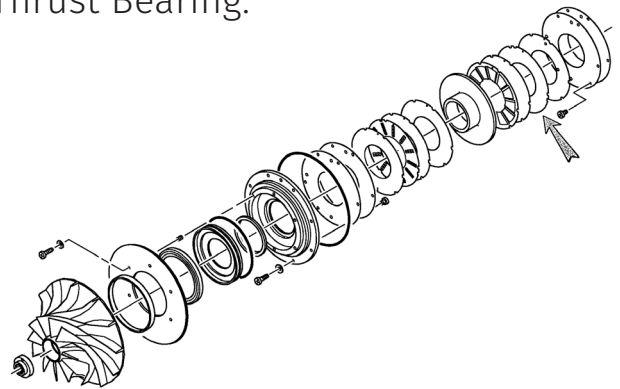
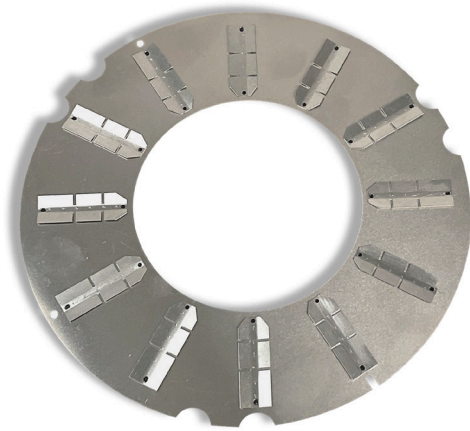
AIR CYCLE MACHINE

1263C0000-03

AIR CYCLE MACHINE

SUPPORT SPRING

Bearing Support Spring, for use with Thrust Bearing.



PMA PN
AVUS3451-020A

OEM PN
3451-020A

DRAMATIC COST
SAVINGS FROM OEM

100%
CUSTOMERS
SATISFACTION

[CONTACT US TODAY](#)

Q

QUALITY

& RELIABILITY

I

INVENTORY

& CONTROL

P

PRICING

& DELIVERY

AIRBUS A319 | A320

PMA PRODUCT CATALOG

1263A0000-03

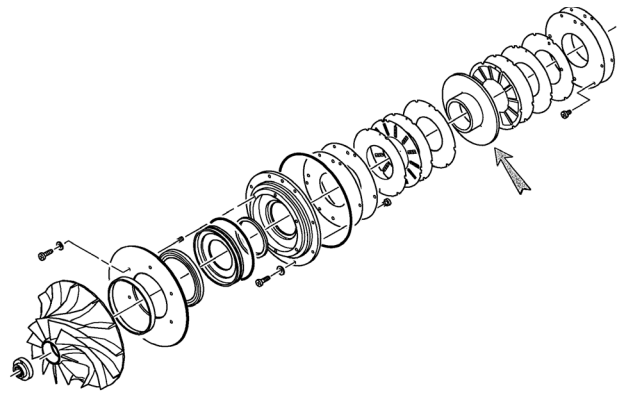
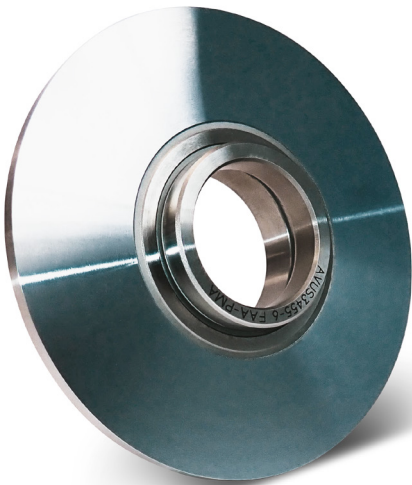
AIR CYCLE MACHINE

1814A0000-02

AIR CYCLE MACHINE

STOP

Axial Thrust Runner.



PMA PN
AVUS3455-6

OEM PN
3455-6

DRAMATIC COST
SAVINGS FROM OEM

100%
CUSTOMERS
SATISFACTION

[CONTACT US TODAY](#)

Q

QUALITY

& RELIABILITY

I

INVENTORY

& CONTROL

P

PRICING

& DELIVERY

AIRBUS A319 | A320

PMA PRODUCT CATALOG

1263A0000-03

AIR CYCLE MACHINE

1814A0000-02

AIR CYCLE MACHINE

COMPRESSOR SHAFT



Fan end Compressor Shaft, repair worn out of tolerance shaft.

1814A0000-02:

PMA PN

AVUS3456-0106-2

OEM PN

3456-16

1263A0000-03:

PMA PN

AVUS3455-011-2

OEM PN

3455-2

DRAMATIC COST
SAVINGS FROM OEM

100%

CUSTOMERS
SATISFACTION

[CONTACT US TODAY](#)

Q

QUALITY

& RELIABILITY

I

INVENTORY

& CONTROL

P

PRICING

& DELIVERY

AIRBUS A319 | A320

PMA PRODUCT CATALOG

1263A0000-03

AIR CYCLE MACHINE

1814A0000-02

AIR CYCLE MACHINE

COMPRESSOR SHAFT



Turbine End Compressor Shaft.
Repair worn out of tolerance Shafts.

1814A0000-02:

PMA PN

AVUS3456-0106-3

OEM PN

3455-3

1263A0000-03

PMA PN

AVUS3455-011-3

OEM PN

3455-3

DRAMATIC COST
SAVINGS FROM OEM

100%

CUSTOMERS
SATISFACTION

[CONTACT US TODAY](#)

Q

QUALITY

& RELIABILITY

I

INVENTORY

& CONTROL

P

PRICING

& DELIVERY

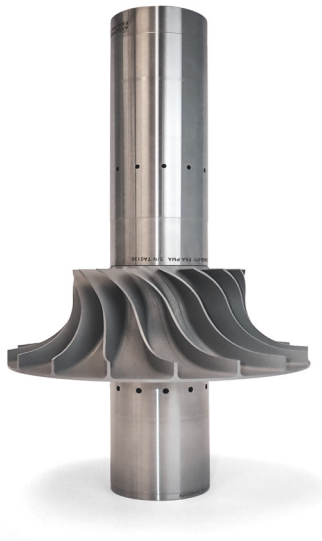
AIRBUS A319 | A320

PMA PRODUCT CATALOG

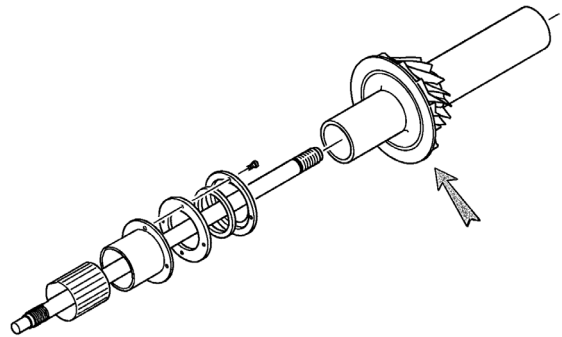
1263A0000-03

AIR CYCLE MACHINE

COMP. SHAFT ASSY



Compressor Shaft Assembly balanced and ready for installation.



PMA PN
AVUS3455-011

OEM PN
3455-011

DRAMATIC COST
SAVINGS FROM OEM

100%
CUSTOMERS
SATISFACTION

[CONTACT US TODAY](#)

Q

QUALITY

& RELIABILITY

I

INVENTORY

& CONTROL

P

PRICING

& DELIVERY

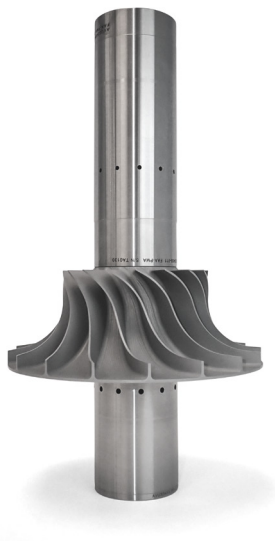
AIRBUS A319 | A320

PMA PRODUCT CATALOG

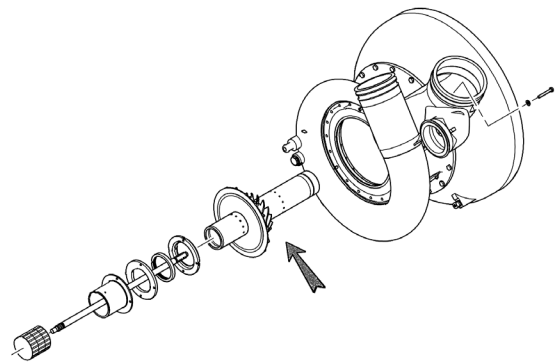
1814A0000-02

AIR CYCLE MACHINE

COMP. SHAFT ASSY



Compressor Shaft Assembly balanced and ready for installation.



PMA PN
AVUS3456-0106

OEM PN
3456-0106

DRAMATIC COST
SAVINGS FROM OEM

100%
CUSTOMERS
SATISFACTION

[CONTACT US TODAY](#)

Q

QUALITY

& RELIABILITY

I

INVENTORY

& CONTROL

P

PRICING

& DELIVERY

AIRBUS A319 | A320

PMA PRODUCT CATALOG

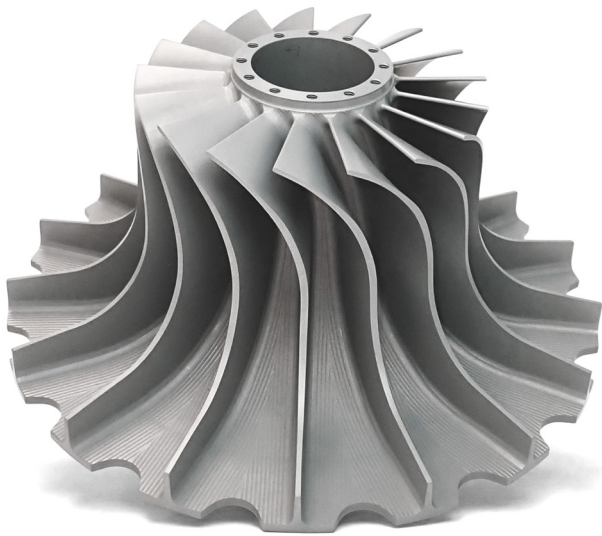
1263A0000-03

AIR CYCLE MACHINE

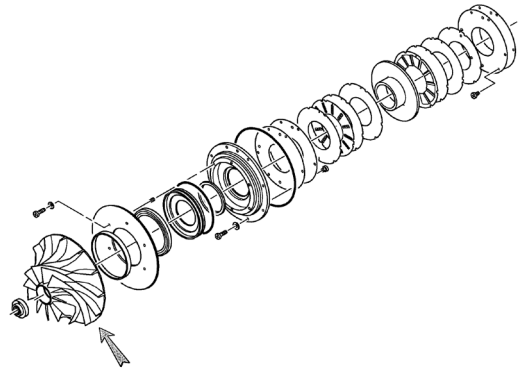
1814A0000-02

AIR CYCLE MACHINE

TURBINE WHEEL



Turbine Wheel Balanced.



PMA PN
AVUS3455-013

OEM PN
3455-013

DRAMATIC COST
SAVINGS FROM OEM

100%
CUSTOMERS
SATISFACTION

[CONTACT US TODAY](#)

Q

QUALITY

& RELIABILITY

I

INVENTORY

& CONTROL

P

PRICING

& DELIVERY

AIRBUS A319 | A320

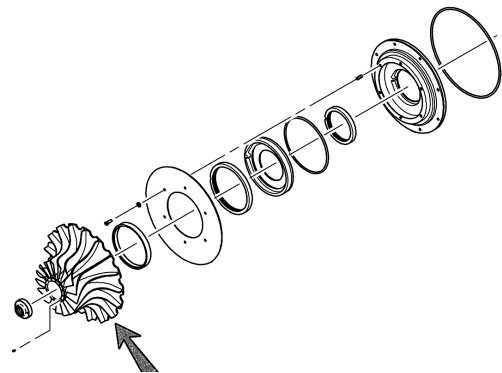
PMA PRODUCT CATALOG

1814A0000-02

AIR CYCLE MACHINE

COMPRESSOR WHEEL

Compressor Wheel.



PMA PN
AVUS3456-0106-1

OEM PN
3456-1

DRAMATIC COST
SAVINGS FROM OEM

100%
CUSTOMERS
SATISFACTION

[CONTACT US TODAY](#)

Q

QUALITY

& RELIABILITY

I

INVENTORY

& CONTROL

P

PRICING

& DELIVERY

AIRBUS A319 | A320

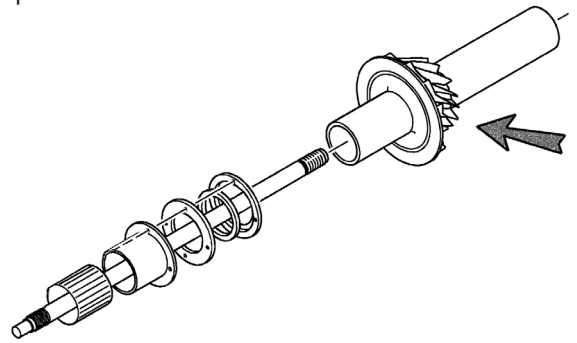
PMA PRODUCT CATALOG

1263A0000-03

AIR CYCLE MACHINE

COMPRESSOR WHEEL

Compressor Wheel.



PMA PN
AVUS3455-011-1

OEM PN
3455-1

DRAMATIC COST
SAVINGS FROM OEM

100%
CUSTOMERS
SATISFACTION

[CONTACT US TODAY](#)

Q

QUALITY

& RELIABILITY

I

INVENTORY

& CONTROL

P

PRICING

& DELIVERY

AIRBUS A319 | A320

PMA PRODUCT CATALOG

1263A0000-03

AIR CYCLE MACHINE

1814A0000-02

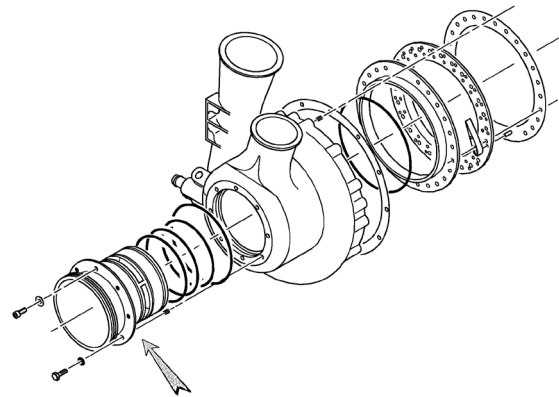
AIR CYCLE MACHINE

1263C0000-03

AIR CYCLE MACHINE

HEATING SLEEVE

Turbine Exducer Heating Sleeve.



PMA PN
AVUS3455-33

OEM PN
3455-33

DRAMATIC COST
SAVINGS FROM OEM

100%

CUSTOMERS
SATISFACTION

[CONTACT US TODAY](#)

Q

QUALITY

& RELIABILITY

I

INVENTORY

& CONTROL

P

PRICING

& DELIVERY

AIRBUS A319 | A320

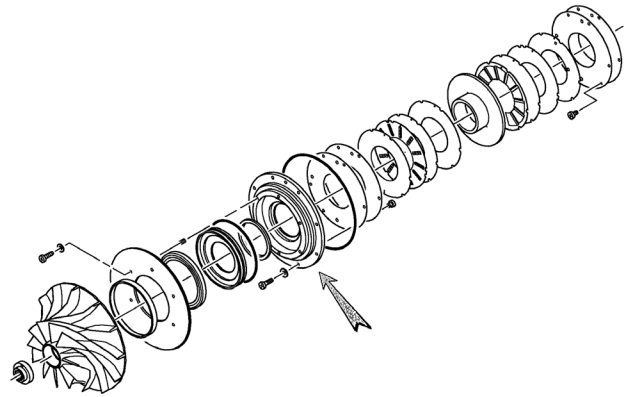
PMA PRODUCT CATALOG

1263A0000-03

AIR CYCLE MACHINE

FLANGE ASSY

Flange Assembly.



PMA PN
AVUS3455-043A

OEM PN
3455-043A

DRAMATIC COST
SAVINGS FROM OEM

100%
CUSTOMERS
SATISFACTION

[CONTACT US TODAY](#)

Q

QUALITY

& RELIABILITY

I

INVENTORY

& CONTROL

P

PRICING

& DELIVERY

AIRBUS A319 | A320

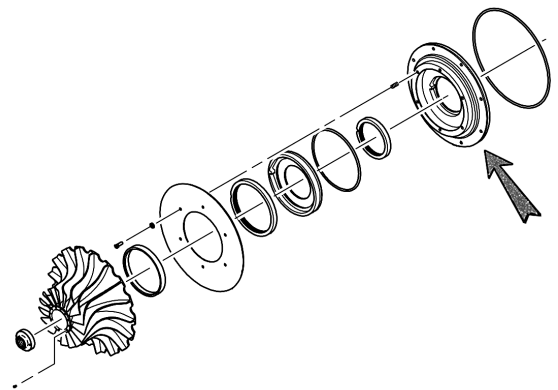
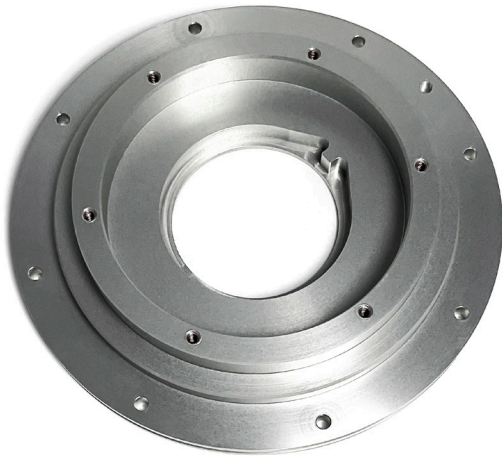
PMA PRODUCT CATALOG

1814A0000-02

AIR CYCLE MACHINE

FLANGE ASSY

Flange Assembly.



PMA PN
AVUS3456-035

OEM PN
3456-035

DRAMATIC COST
SAVINGS FROM OEM

100%
CUSTOMERS
SATISFACTION

[CONTACT US TODAY](#)



QUALITY

& RELIABILITY



INVENTORY

& CONTROL



PRICING

& DELIVERY

AIRBUS A319 | A320

PMA PRODUCT CATALOG

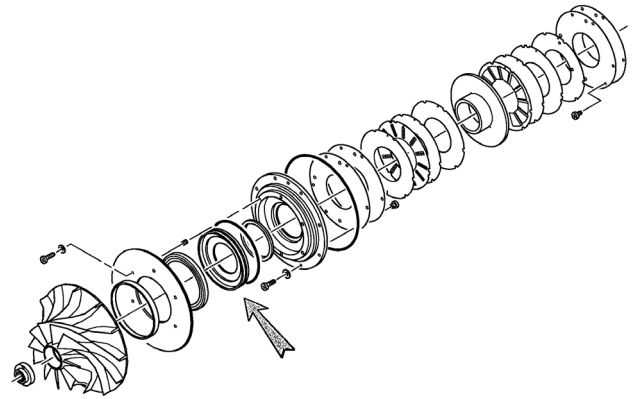
1263A0000-03

AIR CYCLE MACHINE

1263C0000-03

AIR CYCLE MACHINE

FLANGE



PMA PN
AVUS3455-69

OEM PN
3455-69

DRAMATIC COST
SAVINGS FROM OEM

100%
CUSTOMERS
SATISFACTION

[CONTACT US TODAY](#)

Q

QUALITY

& RELIABILITY

I

INVENTORY

& CONTROL

P

PRICING

& DELIVERY

AIRBUS A319 | A320

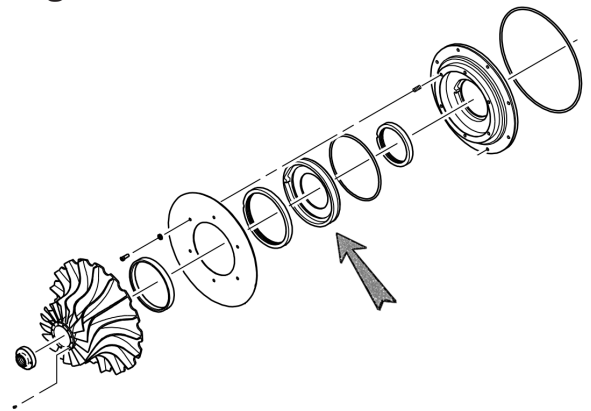
PMA PRODUCT CATALOG

1814A0000-02

AIR CYCLE MACHINE

FLANGE

Flange.



PMA PN
AVUS3456-40

OEM PN
3456-40

DRAMATIC COST
SAVINGS FROM OEM

100%
CUSTOMERS
SATISFACTION

[CONTACT US TODAY](#)

Q

QUALITY

& RELIABILITY

I

INVENTORY

& CONTROL

P

PRICING

& DELIVERY

AIRBUS A319 | A320

PMA PRODUCT CATALOG

1263A0000-03

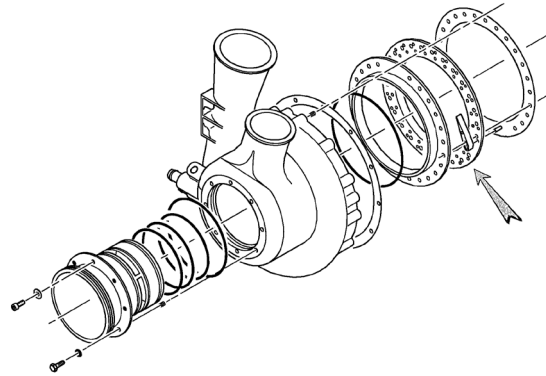
AIR CYCLE MACHINE

1814A0000-02

AIR CYCLE MACHINE

INJECTOR BLADE + FAN ASSY

One piece assembly of Turbine Nozzle Blades and Injector Flange.



PMA PN
AVUS3455-60

OEM PN
3455-60 & 3455-18

DRAMATIC COST
SAVINGS FROM OEM

100%
CUSTOMERS
SATISFACTION

[CONTACT US TODAY](#)

Q

QUALITY

& RELIABILITY

I

INVENTORY

& CONTROL

P

PRICING

& DELIVERY

AIRBUS A319 | A320

PMA PRODUCT CATALOG

1263A0000-03

AIR CYCLE MACHINE

1814A0000-02

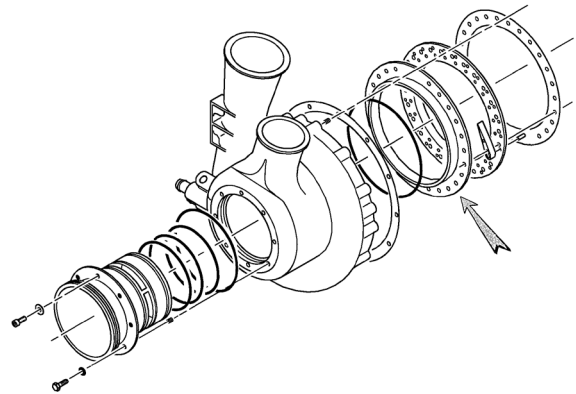
AIR CYCLE MACHINE

1263C0000-03

AIR CYCLE MACHINE

INJECTOR COVER

Injector Cover.



PMA PN
AVUS3455-17

OEM PN
3455-17

DRAMATIC COST
SAVINGS FROM OEM

100%
CUSTOMERS
SATISFACTION

[CONTACT US TODAY](#)

Q

QUALITY

& RELIABILITY

I

INVENTORY

& CONTROL

P

PRICING

& DELIVERY

AIRBUS A319 | A320

PMA PRODUCT CATALOG

1263A0000-03

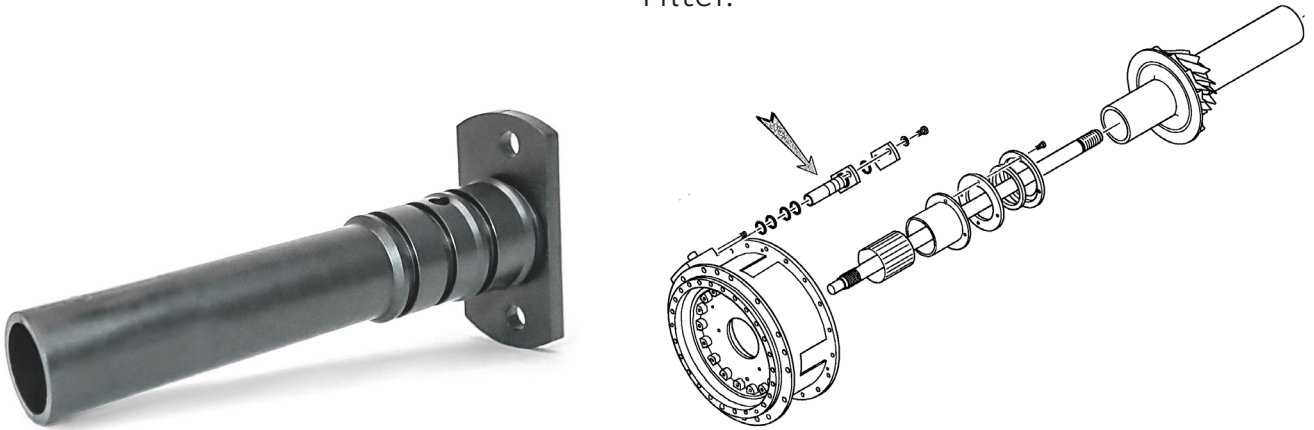
AIR CYCLE MACHINE

1814A0000-02

AIR CYCLE MACHINE

FILTER

Filter.



PMA PN
AVUS3455-25

OEM PN
3455-25

DRAMATIC COST
SAVINGS FROM OEM

100%
CUSTOMERS
SATISFACTION

[CONTACT US TODAY](#)

Q

QUALITY

& RELIABILITY

I

INVENTORY

& CONTROL

P

PRICING

& DELIVERY

AIRBUS A319 | A320

PMA PRODUCT CATALOG

1263A0000-03

AIR CYCLE MACHINE

FAN SHROUD



- Replacement part for damaged Fan Ducting.
- Can also be used to update / repair integrally cast fan ducting on older Compressor Casings (requires machining).

PMA PN
AVUS3455-091

OEM PN
3455-091

DRAMATIC COST
SAVINGS FROM OEM

100%
CUSTOMERS
SATISFACTION

[CONTACT US TODAY](#)

Q

QUALITY

& RELIABILITY

I

INVENTORY

& CONTROL

P

PRICING

& DELIVERY

AIRBUS A319 | A320

PMA PRODUCT CATALOG

1263A0000-03

AIR CYCLE MACHINE

1814A0000-02

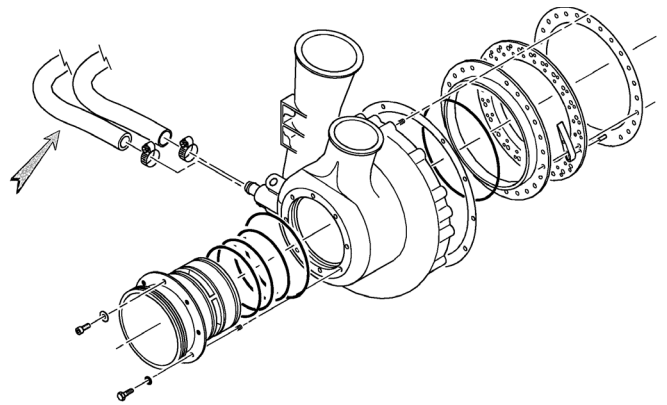
AIR CYCLE MACHINE

1263C0000-03

AIR CYCLE MACHINE

TAPPING DUCT

Anti icing tube



PMA PN
AVUS3455-23

OEM PN
3455-23

DRAMATIC COST
SAVINGS FROM OEM

100%
CUSTOMERS
SATISFACTION

[CONTACT US TODAY](#)

Q

QUALITY

& RELIABILITY

I

INVENTORY

& CONTROL

P

PRICING

& DELIVERY

AIRBUS A319 | A320

PMA PRODUCT CATALOG

1263A0000-03

AIR CYCLE MACHINE

1814A0000-02

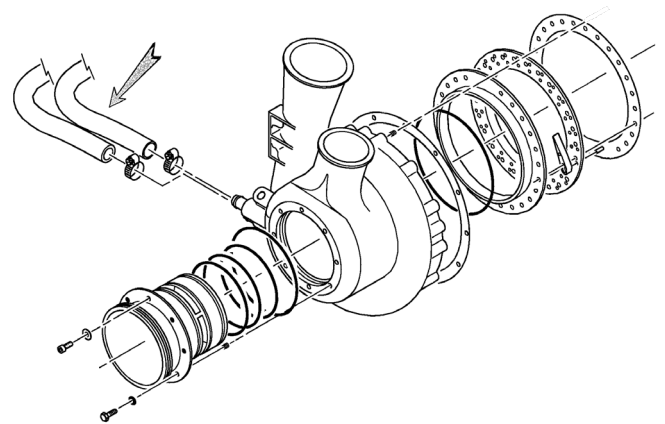
AIR CYCLE MACHINE

1263C0000-03

AIR CYCLE MACHINE

RETURN DUCT

Return Duct Hose.



PMA PN
AVUS3455-24

OEM PN
3455-24

DRAMATIC COST
SAVINGS FROM OEM

100%
CUSTOMERS
SATISFACTION

[CONTACT US TODAY](#)

Q

QUALITY

& RELIABILITY

I

INVENTORY

& CONTROL

P

PRICING

& DELIVERY

AIRBUS A319 | A320

PMA PRODUCT CATALOG

1263A0000-03

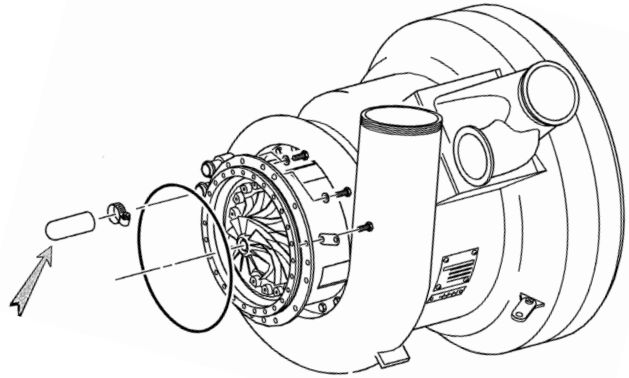
AIR CYCLE MACHINE

1814A0000-02

AIR CYCLE MACHINE

BLANKING DUCT

Blanking Duct Hose Cap.



PMA PN

AVUS3455-42

OEM PN

3455-42

DRAMATIC COST
SAVINGS FROM OEM

100%

CUSTOMERS
SATISFACTION

[CONTACT US TODAY](#)

Q

QUALITY

& RELIABILITY

I

INVENTORY

& CONTROL

P

PRICING

& DELIVERY

AIRBUS A319 | A320

PMA PRODUCT CATALOG

1263A0000-03

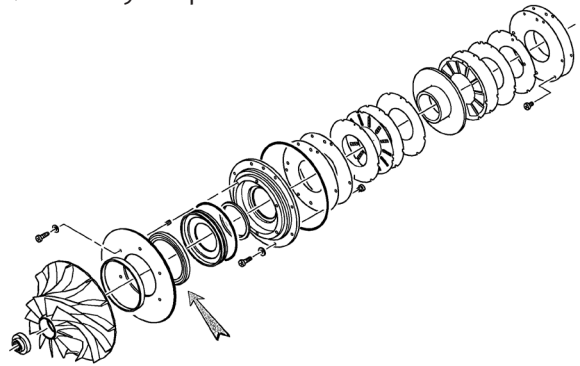
AIR CYCLE MACHINE

1263C0000-03

AIR CYCLE MACHINE

SEALING RING

Turbine end shaft seal.
Quantity: 1 per ACM.



PMA PN
AVUS3455-050

OEM PN
3455-050

DRAMATIC COST
SAVINGS FROM OEM

100%
CUSTOMERS
SATISFACTION

[CONTACT US TODAY](#)

Q

QUALITY

& RELIABILITY

I

INVENTORY

& CONTROL

P

PRICING

& DELIVERY

AIRBUS A319 | A320

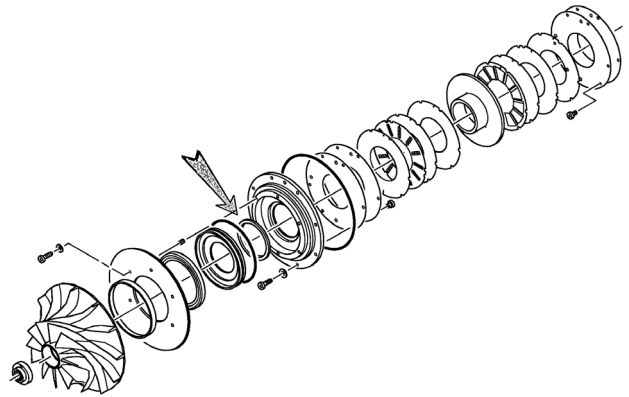
PMA PRODUCT CATALOG

1263A0000-03

AIR CYCLE MACHINE

SEALING RING

Compressor Shaft Seal.
Quantity: 3 per ACM



AVUS3455-070

3455-070

DRAMATIC COST
SAVINGS FROM OEM

100%
CUSTOMERS
SATISFACTION

[CONTACT US TODAY](#)

Q

QUALITY

& RELIABILITY

I

INVENTORY

& CONTROL

P

PRICING

& DELIVERY

AIRBUS A319 | A320

PMA PRODUCT CATALOG

1263A0000-03

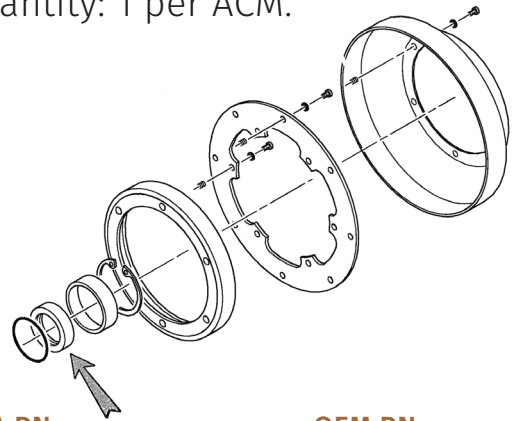
AIR CYCLE MACHINE

1263C0000-03

AIR CYCLE MACHINE

SEALING RING

Fan end compressor shaft seal.
Quantity: 1 per ACM.



PMA PN
AVUS3455-080

OEM PN
3455-080

DRAMATIC COST
SAVINGS FROM OEM

100%
CUSTOMERS
SATISFACTION

[CONTACT US TODAY](#)

Q

QUALITY

& RELIABILITY

I

INVENTORY

& CONTROL

P

PRICING

& DELIVERY

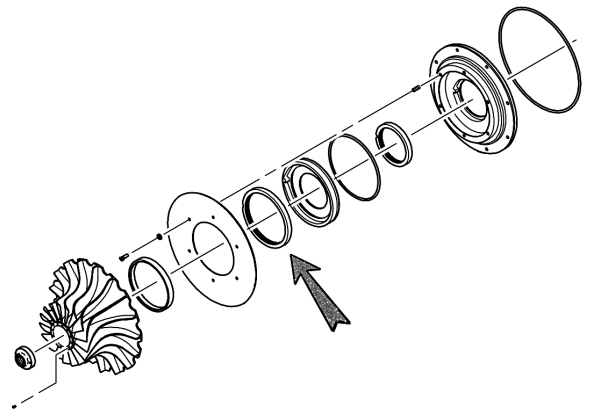
AIRBUS A319 | A320

PMA PRODUCT CATALOG

1814A0000-02

AIR CYCLE MACHINE

SEALING RING



PMA PN
AVUS3456-47

OEM PN
3456-47

DRAMATIC COST
SAVINGS FROM OEM

100%
CUSTOMERS
SATISFACTION

[CONTACT US TODAY](#)

Q

QUALITY

& RELIABILITY

I

INVENTORY

& CONTROL

P

PRICING

& DELIVERY

AIRBUS A319 | A320

PMA PRODUCT CATALOG

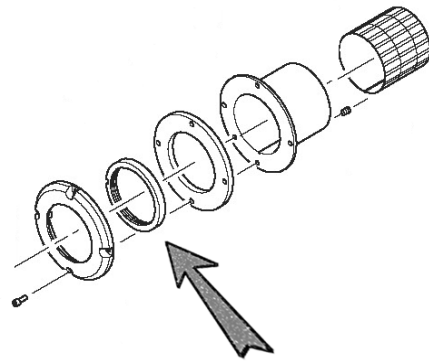
1814A0000-02

AIR CYCLE MACHINE

SEALING RING



Compressor Shaft Seal
Quantitv: 4 per ACM.



PMA PN
AVUS3456-48

OEM PN
3456-48

DRAMATIC COST
SAVINGS FROM OEM

100%
CUSTOMERS
SATISFACTION

[CONTACT US TODAY](#)

Q

QUALITY

& RELIABILITY

I

INVENTORY

& CONTROL

P

PRICING

& DELIVERY

AIRBUS A319 | A320

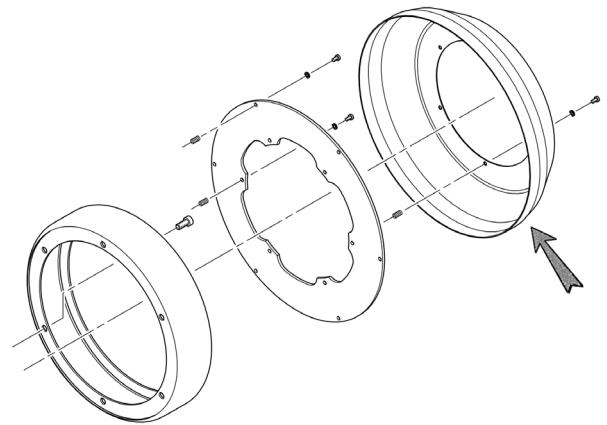
PMA PRODUCT CATALOG

1814A0000-02

AIR CYCLE MACHINE

SHROUD

Fan end shroud.



AVUS3456-22

3456-22

DRAMATIC COST
SAVINGS FROM OEM

100%
CUSTOMERS
SATISFACTION

[CONTACT US TODAY](#)

Q

QUALITY

& RELIABILITY

I

INVENTORY

& CONTROL

P

PRICING

& DELIVERY

AIRBUS A319 | A320

PMA PRODUCT CATALOG

1263A0000-03

AIR CYCLE MACHINE

1814A0000-02

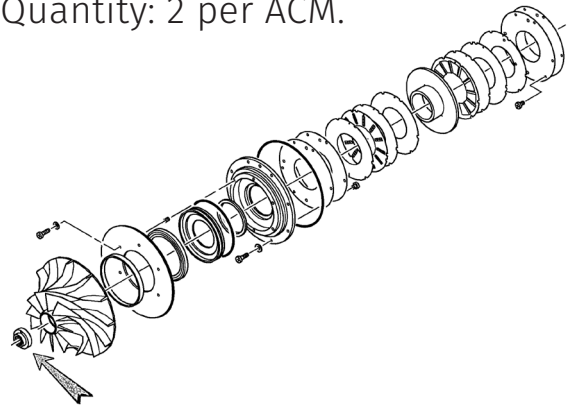
AIR CYCLE MACHINE

1263C0000-03

AIR CYCLE MACHINE

NUT

Tie Rod Nut.
Quantity: 2 per ACM.



PMA PN
AVUS3455-9

OEM PN
3455-9

DRAMATIC COST
SAVINGS FROM OEM

100%
CUSTOMERS
SATISFACTION

[CONTACT US TODAY](#)

Q

QUALITY

& RELIABILITY

I

INVENTORY

& CONTROL

P

PRICING

& DELIVERY

AIRBUS A319 | A320

PMA PRODUCT CATALOG

1263A0000-03

AIR CYCLE MACHINE

1814A0000-02

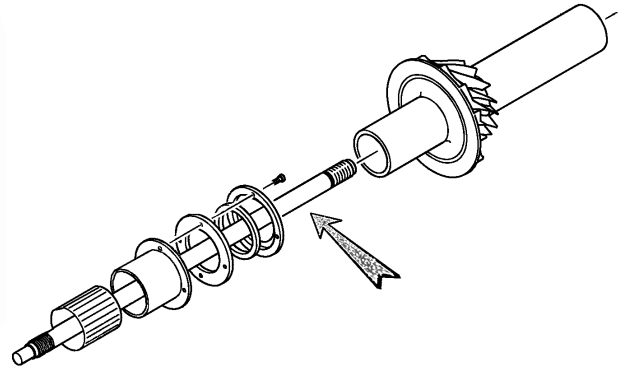
AIR CYCLE MACHINE

1263C0000-03

AIR CYCLE MACHINE

TIE ROD

Tie Rod.



PMA PN
AVUS3455-8

OEM PN
3455-8

DRAMATIC COST
SAVINGS FROM OEM

100%
CUSTOMERS
SATISFACTION

[CONTACT US TODAY](#)

Q

QUALITY

& RELIABILITY

I

INVENTORY

& CONTROL

P

PRICING

& DELIVERY

AIRBUS A319 | A320

PMA PRODUCT CATALOG

1263A0000-03

AIR CYCLE MACHINE

1814A0000-02

AIR CYCLE MACHINE

1263C0000-03

AIR CYCLE MACHINE

SHOULDERED RING

For mounting Brackets.

Quantity: 4 per ACM.



PMA PN

AVUSS4633A04P

OEM PN

S4633A04P

DRAMATIC COST
SAVINGS FROM OEM

100%

CUSTOMERS
SATISFACTION

[CONTACT US TODAY](#)

Q

QUALITY

& RELIABILITY

I

INVENTORY

& CONTROL

P

PRICING

& DELIVERY

AIRBUS A319 | A320

PMA PRODUCT CATALOG

1263A0000-03

AIR CYCLE MACHINE

1814A0000-02

AIR CYCLE MACHINE

1263C0000-03

AIR CYCLE MACHINE

SHOULDERED RING

For Mounting Brackets.

Quantity: 4 per ACM.



PMA PN
AVUSS4633A03P

OEM PN
S4633A03P

DRAMATIC COST
SAVINGS FROM OEM

100%
CUSTOMERS
SATISFACTION

[CONTACT US TODAY](#)

Q

QUALITY

& RELIABILITY

I

INVENTORY

& CONTROL

P

PRICING

& DELIVERY

AIRBUS A319 | A320

PMA PRODUCT CATALOG

1263A0000-03

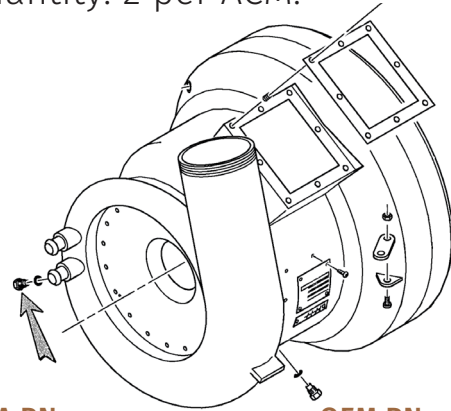
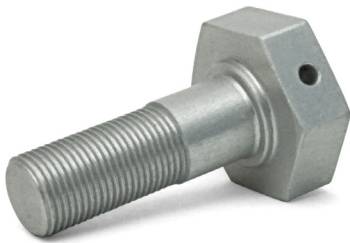
AIR CYCLE MACHINE

1263C0000-03

AIR CYCLE MACHINE

PLUG

Housing Plug.
Quantity: 2 per ACM.



PMA PN
AVUSS4511

OEM PN
S4511

DRAMATIC COST
SAVINGS FROM OEM

100%
CUSTOMERS
SATISFACTION

[CONTACT US TODAY](#)

Q

QUALITY

& RELIABILITY

I

INVENTORY

& CONTROL

P

PRICING

& DELIVERY

AIRBUS A319 | A320

PMA PRODUCT CATALOG

1263A0000-03

AIR CYCLE MACHINE

1814A0000-02

AIR CYCLE MACHINE

SHIM



Nozzle Ring Shims:

PMA PN	OEM PN	THICKNESS
AVUS3455-26	3455-26	.004
AVUS3455-27	3455-27	.020

Turbine Scroll Shims:

AVUS3455-28	3455-28	.004
AVUS3455-29	3455-29	.020

DRAMATIC COST
SAVINGS FROM OEM

100%

CUSTOMERS
SATISFACTION

[CONTACT US TODAY](#)

Q

QUALITY

& RELIABILITY

I

INVENTORY

& CONTROL

P

PRICING

& DELIVERY

AIRBUS A319 | A320

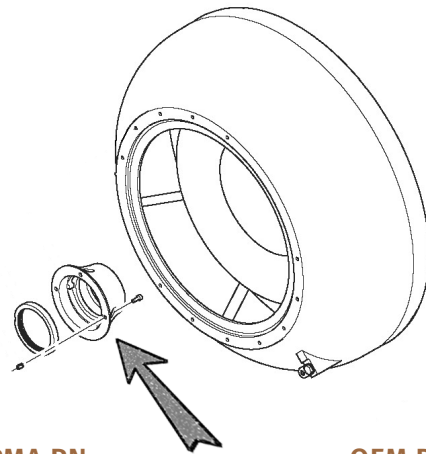
PMA PRODUCT CATALOG

1814A0000-02

AIR CYCLE MACHINE

COVER FAN

Fan End Seal Cover.



PMA PN
AVUS3456-39

OEM PN
3456-39

DRAMATIC COST
SAVINGS FROM OEM

100%
CUSTOMERS
SATISFACTION

[CONTACT US TODAY](#)

Q

QUALITY

& RELIABILITY

I

INVENTORY

& CONTROL

P

PRICING

& DELIVERY

AIRBUS A319 | A320

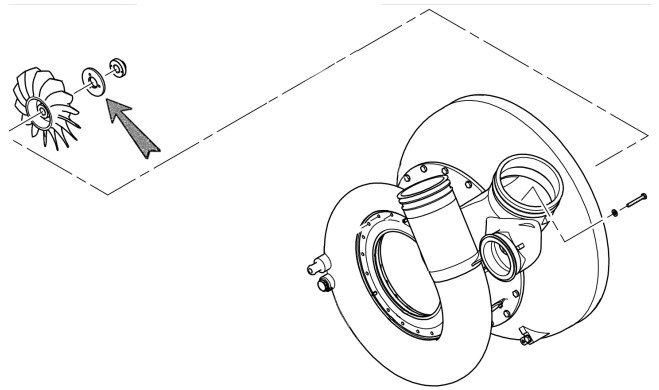
PMA PRODUCT CATALOG

1814A0000-02

AIR CYCLE MACHINE

WASHER

Balancing Washer



PMA PN
AVUS3456-25

OEM PN
3456-25

DRAMATIC COST
SAVINGS FROM OEM

100%
CUSTOMERS
SATISFACTION

[CONTACT US TODAY](#)

Q

QUALITY

& RELIABILITY

I

INVENTORY

& CONTROL

P

PRICING

& DELIVERY

AIRBUS A319 | A320

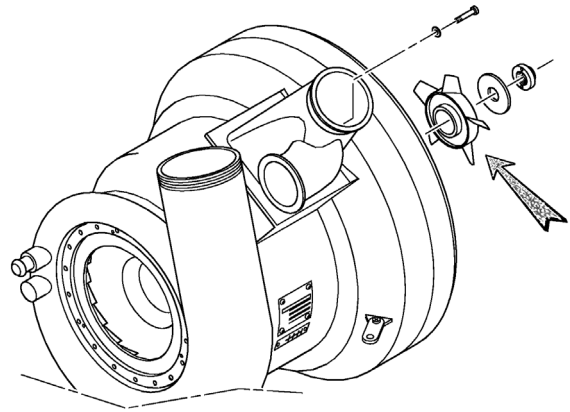
PMA PRODUCT CATALOG

1263A0000-03

AIR CYCLE MACHINE

FAN WHEEL

Cooling Fan.



PMA PN
AVUS3455-4

OEM PN
3455-4

DRAMATIC COST
SAVINGS FROM OEM

100%
CUSTOMERS
SATISFACTION

[CONTACT US TODAY](#)

Q

QUALITY

& RELIABILITY

I

INVENTORY

& CONTROL

P

PRICING

& DELIVERY

AIRBUS A319 | A320

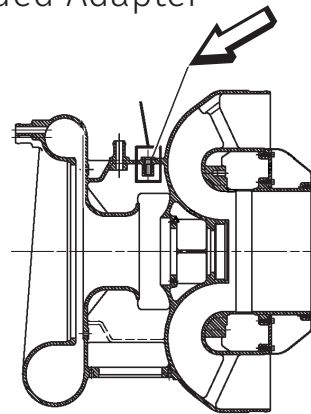
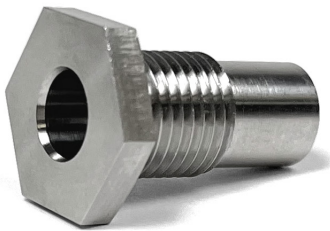
PMA PRODUCT CATALOG

1263A0000-03

AIR CYCLE MACHINE

INSERT

Threaded Adapter



PMA PN
AVUS3455-78R

OEM PN
3455-78R

DRAMATIC COST
SAVINGS FROM OEM

100%
CUSTOMERS
SATISFACTION

[CONTACT US TODAY](#)

Q

QUALITY

& RELIABILITY

I

INVENTORY

& CONTROL

P

PRICING

& DELIVERY

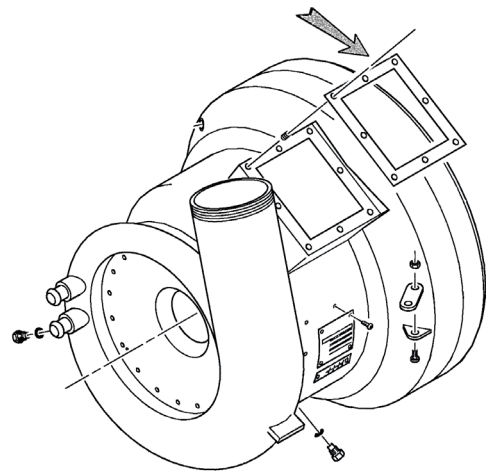
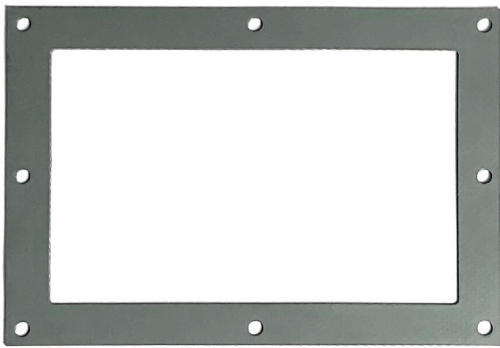
AIRBUS A319 | A320

PMA PRODUCT CATALOG

1263A0000-03

AIR CYCLE MACHINE

GASKET



PMA PN
AVUS3455-71

OEM PN
3455-71

DRAMATIC COST
SAVINGS FROM OEM

100%
CUSTOMERS
SATISFACTION

[CONTACT US TODAY](#)

Q

QUALITY

& RELIABILITY

I

INVENTORY

& CONTROL

P

PRICING

& DELIVERY

AIRBUS A319 | A320

PMA PRODUCT CATALOG

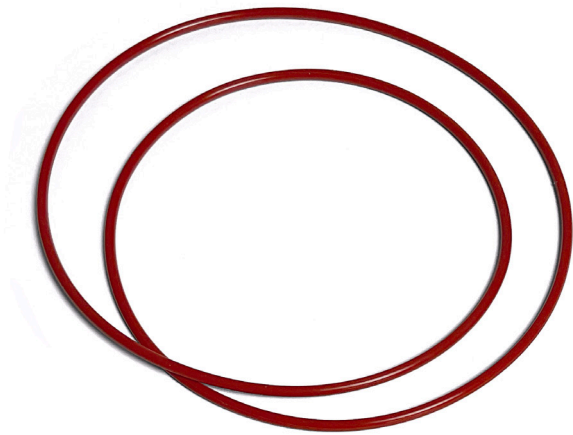
1263A0000-03

AIR CYCLE MACHINE

1814A0000-02

AIR CYCLE MACHINE

O-RING / PACKING



PMA PN

AVUSS602-102X2

AVUSS602-148X2

AVUSS602-15X1-5

AVUSS602-160X2

AVUSS602-205X2-5

AVUSS602-90X2

AVUSS621-13X1-5

AVUSS621-14X1-78

AVUSS621-185X2-5

OEM PN

S602-102X2

S602-148X2

S602-15X1-5

S602-160X2

S602-205X2-5

S602-90X2

S621-13X1-5

S621-14X1-78

S621-185X2-5

DRAMATIC COST
SAVINGS FROM OEM

100%

CUSTOMERS
SATISFACTION

[CONTACT US TODAY](#)

Q

QUALITY

& RELIABILITY

I

INVENTORY

& CONTROL

P

PRICING

& DELIVERY

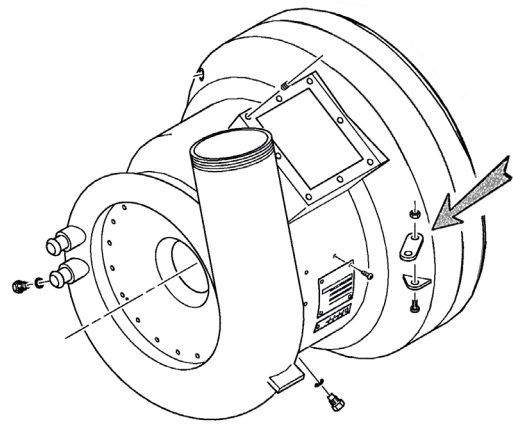
AIRBUS A319 | A320

PMA PRODUCT CATALOG

1263A0000-03

AIR CYCLE MACHINE

BONDING TAB



PMA PN
AVUSS4092

OEM PN
S4092

DRAMATIC COST
SAVINGS FROM OEM

100%
CUSTOMERS
SATISFACTION

[CONTACT US TODAY](#)

Q

QUALITY

& RELIABILITY

I

INVENTORY

& CONTROL

P

PRICING

& DELIVERY

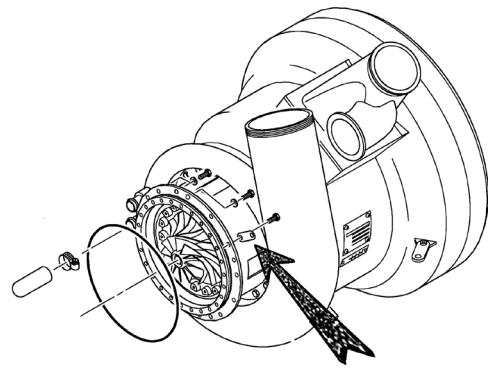
AIRBUS A319 | A320

PMA PRODUCT CATALOG

1263A0000-03

AIR CYCLE MACHINE

BONDING TAB



PMA PN
AVUSS4093

OEM PN
S4093

DRAMATIC COST
SAVINGS FROM OEM

100%
CUSTOMERS
SATISFACTION

[CONTACT US TODAY](#)

Q

QUALITY

& RELIABILITY

I

INVENTORY

& CONTROL

P

PRICING

& DELIVERY

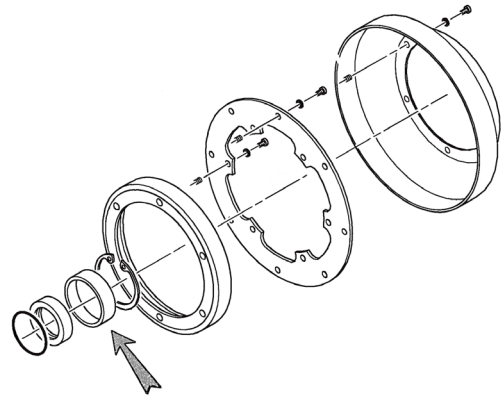
AIRBUS A319 | A320

PMA PRODUCT CATALOG

1263A0000-03

AIR CYCLE MACHINE

COVER



PMA PN
AVUS3455-39

OEM PN
3455-39

DRAMATIC COST
SAVINGS FROM OEM

100%
CUSTOMERS
SATISFACTION

[CONTACT US TODAY](#)

Q

QUALITY

& RELIABILITY

I

INVENTORY

& CONTROL

P

PRICING

& DELIVERY



**17 THOMPSON DRIVE
ESSEX JUNCTION, VT 05452
CONTACT US TODAY
CALL BY PHONE
(802) 865-9318**

**VISIT OUR WEBSITE AT
WWW.AVIATRON.COM**

MEDIA KIT
AVIATRON INC.