



PMA PRODUCT CATALOG

AIR TURBINE STARTER

PN 3505953-2 (4120T06P02)

PN 3505953-4 (4120T06P04)

PN 3505953-6 (4120T06P10)

[www.aviatron.com](http://www.aviatron.com)

# AIR TURBINE STARTER

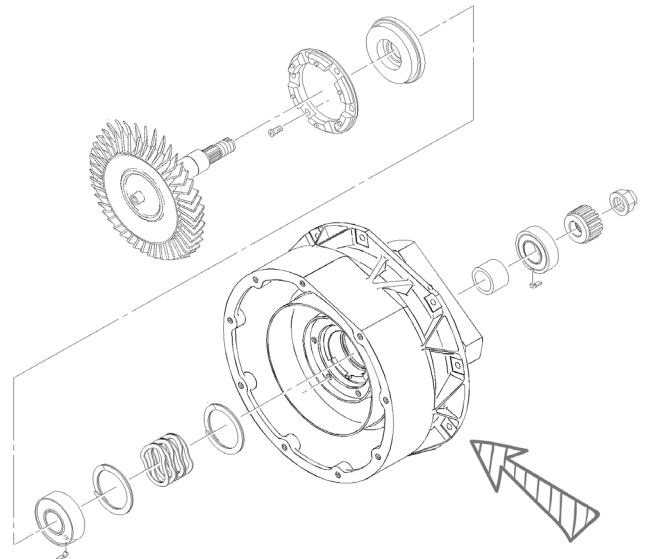
PMA PRODUCT CATALOG • 2022

X 3505953-1 THRU 3505953-7



X = Applicability

## EXHAUST CARRIER HOUSING



**PMA PN**  
**AVUS3504749-1**

**OEM PN**  
**3504749-1**

DRAMATIC COST SAVINGS  
FROM OEM

**100%**  
CUSTOMERS  
SATISFACTION

**Q**

**QUALITY**

& RELIABILITY

**I**

**INVENTORY**

& CONTROL

**P**

**PRICING**

& DELIVERY

# AIR TURBINE STARTER

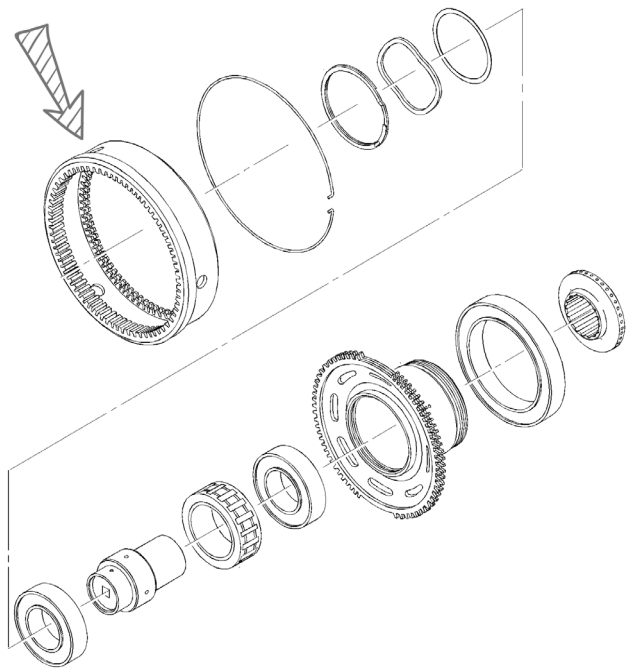
PMA PRODUCT CATALOG • 2022

X 3505953-1 THRU 3505953-7



X = Applicability

## INTERNAL SPUR GEAR



**PMA PN**  
**AVUS3504758-1**

**OEM PN**  
**3504758-1**

DRAMATIC COST SAVINGS  
FROM OEM

**100%**  
CUSTOMERS  
SATISFACTION

Q

**QUALITY**

& RELIABILITY

I

**INVENTORY**

& CONTROL

P

**PRICING**

& DELIVERY

# AIR TURBINE STARTER

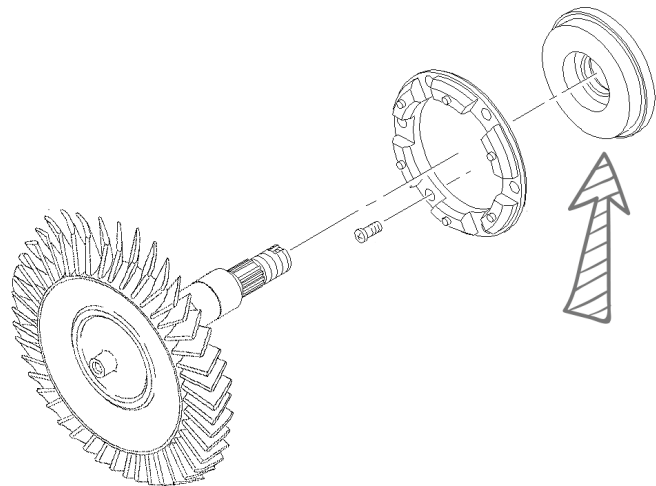
PMA PRODUCT CATALOG • 2022

X 3505953-4 THRU 3505953-5



X = Applicability

## TURBINE SEAL



**PMA PN**  
**AVUS3507083-1**

**OEM PN**  
**3507083-1**

DRAMATIC COST SAVINGS  
FROM OEM

**100%**

CUSTOMERS  
SATISFACTION

Q

**QUALITY**

& RELIABILITY

I

**INVENTORY**

& CONTROL

P

**PRICING**

& DELIVERY

# AIR TURBINE STARTER

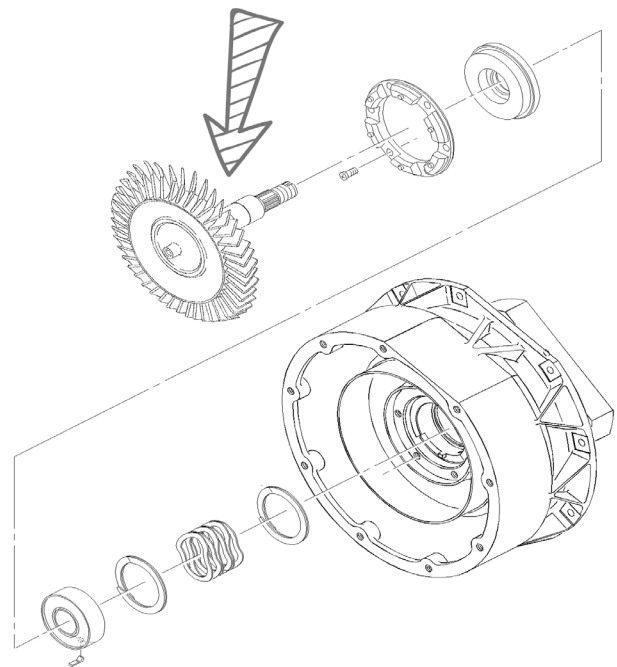
PMA PRODUCT CATALOG • 2022

X 3505953-1 THRU 3505953-7



X = Applicability

## WHEEL TURBINE



**PMA PN**  
**AVUS3507028-1**

**OEM PN**  
**3507028-1**

DRAMATIC COST SAVINGS  
FROM OEM

**100%**  
CUSTOMERS  
SATISFACTION

Q

**QUALITY**

& RELIABILITY

I

**INVENTORY**

& CONTROL

P

**PRICING**

& DELIVERY



# AIR TURBINE STARTER

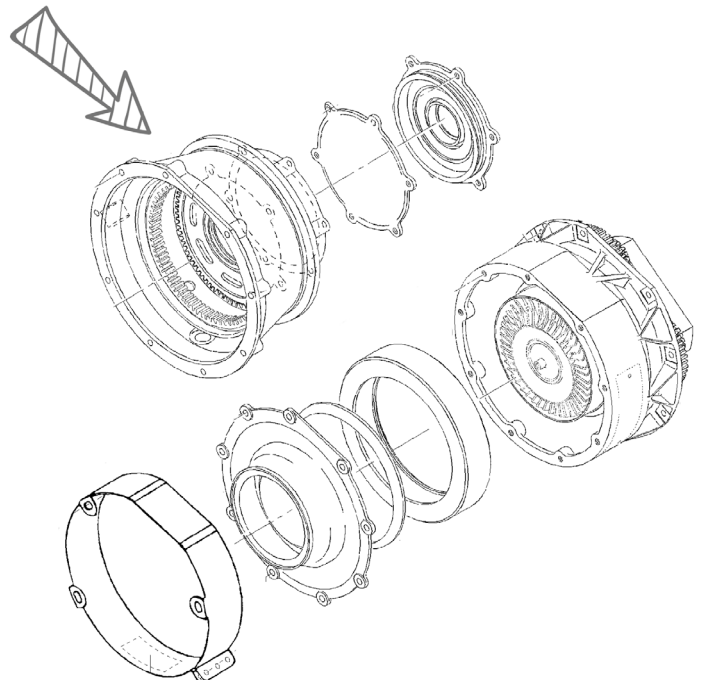
PMA PRODUCT CATALOG • 2022

X 3505953-4 THRU 3505953-5



X = Applicability

## GEAR HOUSING



**PMA PN**  
**AVUS3507664-1**

**OEM PN**  
**3507664-1**

DRAMATIC COST SAVINGS  
FROM OEM

**100%**

CUSTOMERS  
SATISFACTION

**Q**

**QUALITY**

& RELIABILITY

**I**

**INVENTORY**

& CONTROL

**P**

**PRICING**

& DELIVERY

# AIR TURBINE STARTER

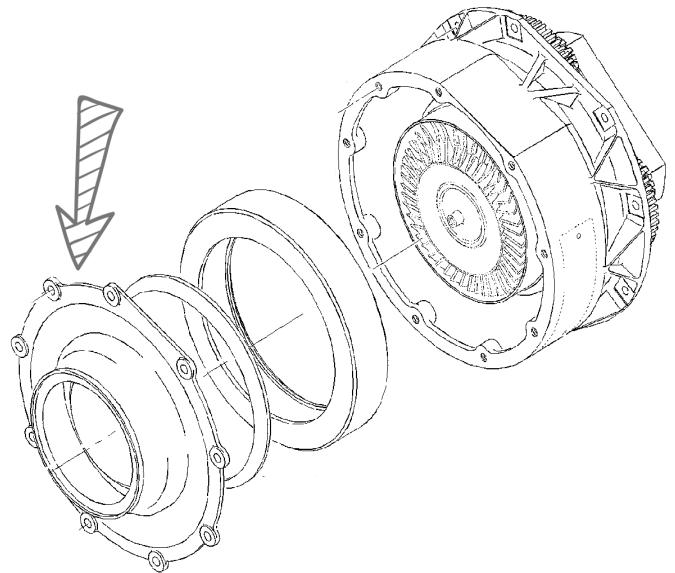
PMA PRODUCT CATALOG • 2022

X 3505953-2 THRU 3505953-4



X = Applicability

## INLET HOUSING



**PMA PN**  
**AVUS3507029-2**

**OEM PN**  
**3507029-2**

DRAMATIC COST SAVINGS  
FROM OEM

**100%**

CUSTOMERS  
SATISFACTION

Q

**QUALITY**

& RELIABILITY

I

**INVENTORY**

& CONTROL

P

**PRICING**

& DELIVERY

# AIR TURBINE STARTER

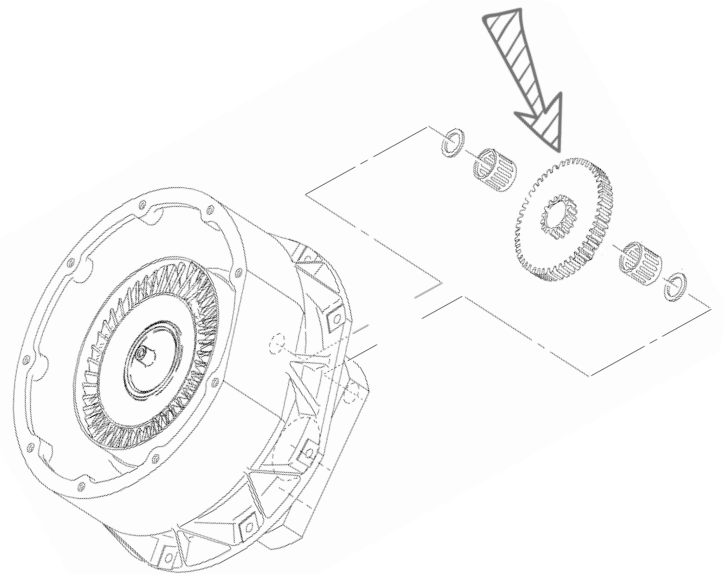
PMA PRODUCT CATALOG • 2022

X 3505953-4 THRU 3505953-5



X = Applicability

## MATCHED GEAR SET



**PMA PN**  
**AVUS3507494-2**

**OEM PN**  
**3507494-2**

DRAMATIC COST SAVINGS  
FROM OEM

**100%**

CUSTOMERS  
SATISFACTION

**Q**

**QUALITY**

& RELIABILITY

**I**

**INVENTORY**

& CONTROL

**P**

**PRICING**

& DELIVERY



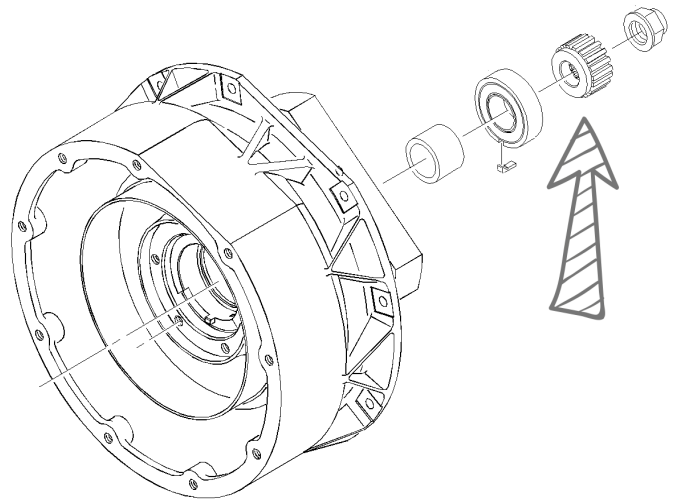
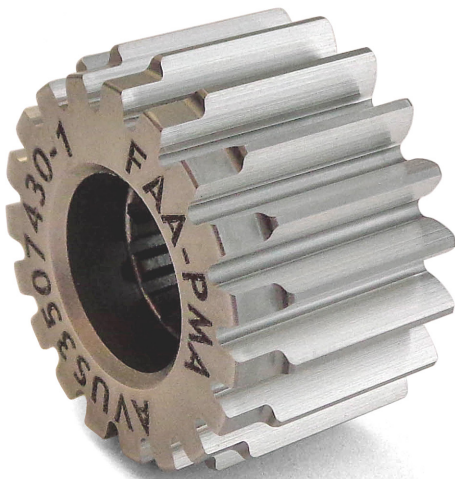
# AIR TURBINE STARTER

PMA PRODUCT CATALOG • 2022

X 3505953-2 THRU 3505953-5



## SPUR PINION GEAR



**PMA PN**  
**AVUS3507430-1**

**OEM PN**  
**3507430-1**

DRAMATIC COST SAVINGS  
FROM OEM

**100%**  
CUSTOMERS  
SATISFACTION

Q

**QUALITY**

& RELIABILITY

I

**INVENTORY**

& CONTROL

P

**PRICING**

& DELIVERY

# AIR TURBINE STARTER

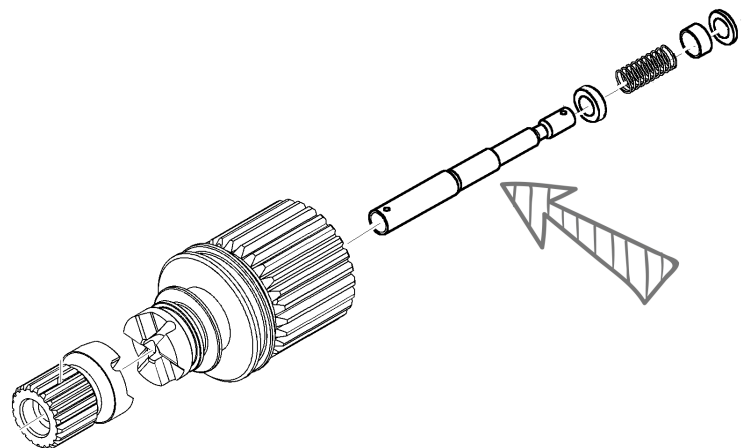
PMA PRODUCT CATALOG • 2022

X 3505953-2 THRU 3505953-5



X = Applicability

## SHEAR PIN



**PMA PN**  
**AVUS3507312-1**

**OEM PN**  
**3507312-1**

DRAMATIC COST SAVINGS  
FROM OEM

**100%**

CUSTOMERS  
SATISFACTION

**Q**

**QUALITY**

& RELIABILITY

**I**

**INVENTORY**

& CONTROL

**P**

**PRICING**

& DELIVERY

# AIR TURBINE STARTER

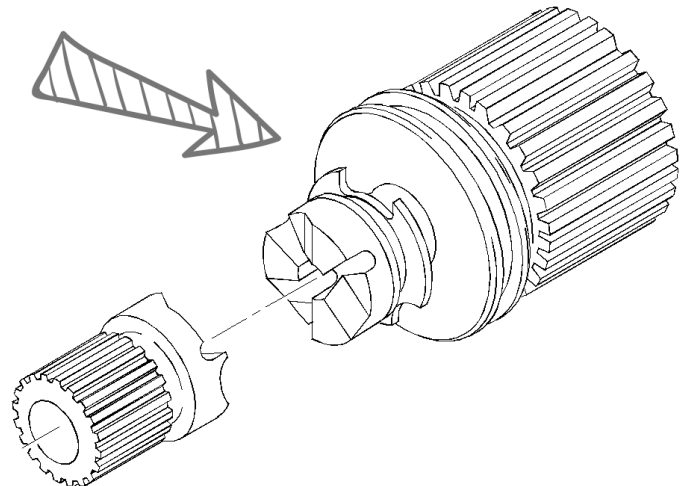
PMA PRODUCT CATALOG • 2022

X 3505953-2 THRU 3505953-5



X = Applicability

## OUTPUT SHAFT



**PMA PN**  
**AVUS3507406-1**

**OEM PN**  
**3507406-1**

DRAMATIC COST SAVINGS  
FROM OEM

**100%**  
CUSTOMERS  
SATISFACTION

Q

**QUALITY**

& RELIABILITY

I

**INVENTORY**

& CONTROL

P

**PRICING**

& DELIVERY

# AIR TURBINE STARTER

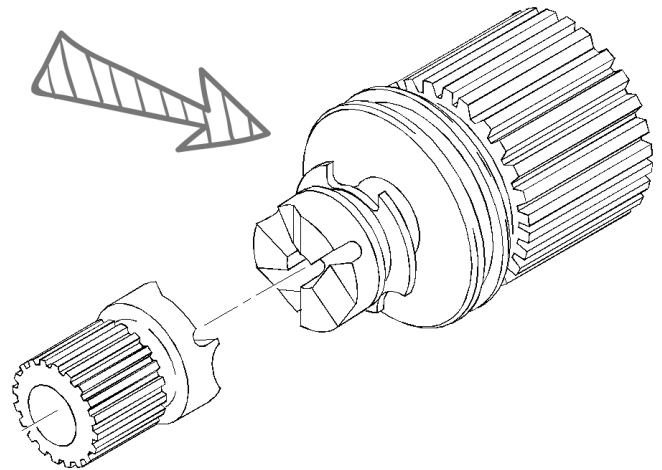
PMA PRODUCT CATALOG • 2022

X 3505953-6 THRU 3505953-7



X = Applicability

## OUTPUT SHAFT



**PMA PN**  
**AVUS63508553-1**

**OEM PN**  
**63508553-1**

DRAMATIC COST SAVINGS  
FROM OEM

**100%**

CUSTOMERS  
SATISFACTION

Q

**QUALITY**

& RELIABILITY

I

**INVENTORY**

& CONTROL

P

**PRICING**

& DELIVERY

# AIR TURBINE STARTER

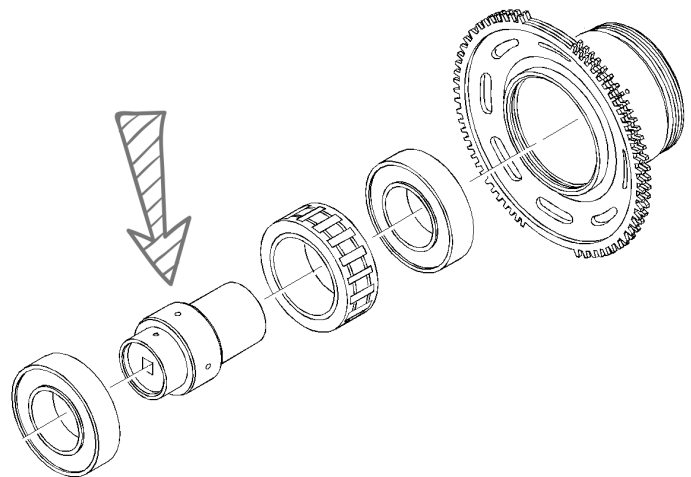
PMA PRODUCT CATALOG • 2022

X 3505953-1 THRU 3505953-5



X = Applicability

## CLUTCH RACE



**PMA PN**  
**AVUS63508504-1**

**OEM PN**  
**63508504-1**

DRAMATIC COST SAVINGS  
FROM OEM

**100%**

CUSTOMERS  
SATISFACTION

Q

**QUALITY**

& RELIABILITY

I

**INVENTORY**

& CONTROL

P

**PRICING**

& DELIVERY



# AIR TURBINE STARTER

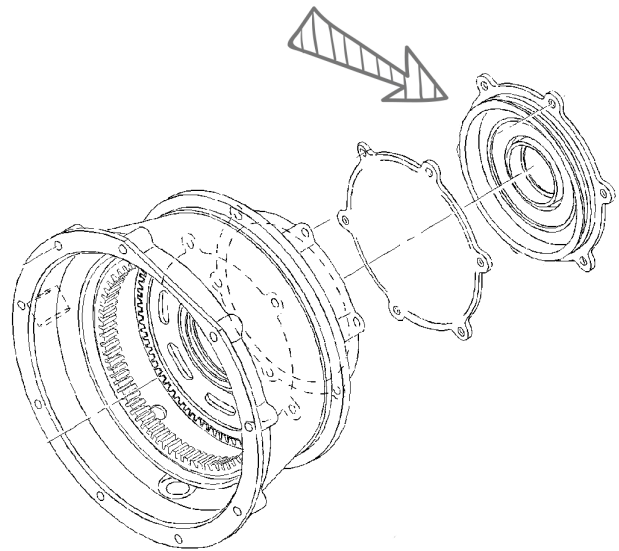
PMA PRODUCT CATALOG • 2022

X 3505953-1 THRU 3505953-7



X = Applicability

## HOUSING SEAL



**PMA PN**  
**AVUS3504754-1**

**OEM PN**  
**3504754-1**

DRAMATIC COST SAVINGS  
FROM OEM

**100%**

CUSTOMERS  
SATISFACTION

Q

**QUALITY**

& RELIABILITY

I

**INVENTORY**

& CONTROL

P

**PRICING**

& DELIVERY

# AIR TURBINE STARTER

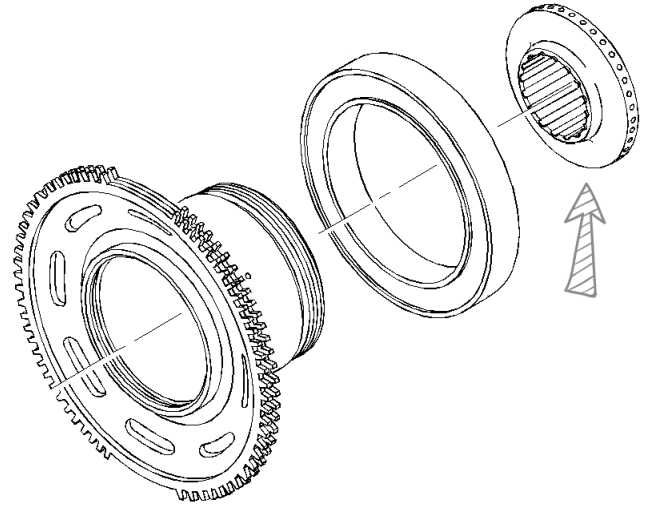
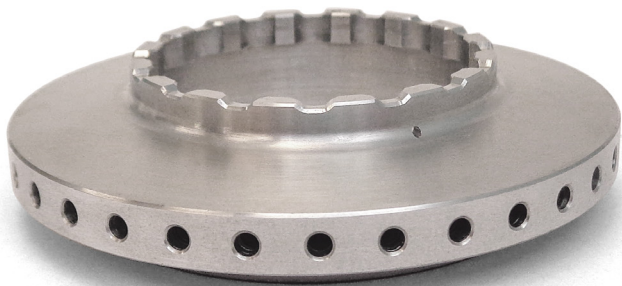
PMA PRODUCT CATALOG • 2022

X 3505953-1 THRU 3505953-7



X = Applicability

## ROTOR SEAL



**PMA PN**  
**AVUS3504767-1**

**OEM PN**  
**3504767-1**

DRAMATIC COST SAVINGS  
FROM OEM

**100%**  
CUSTOMERS  
SATISFACTION

Q

**QUALITY**

& RELIABILITY

I

**INVENTORY**

& CONTROL

P

**PRICING**

& DELIVERY

# AIR TURBINE STARTER

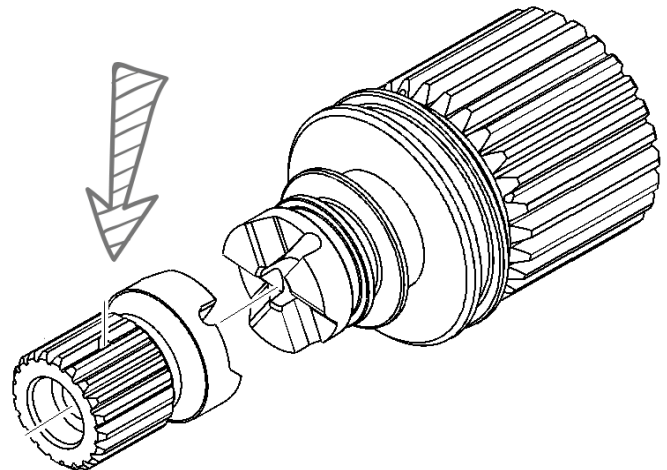
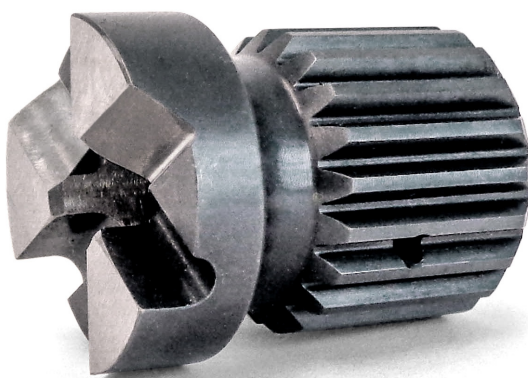
PMA PRODUCT CATALOG • 2022

X 3505953-2 THRU 3505953-5



X = Applicability

## DECOUPLER SHAFT



**PMA PN**  
**AVUS3507407-1**

**OEM PN**  
**3507407-1**

DRAMATIC COST SAVINGS  
FROM OEM

**100%**

CUSTOMERS  
SATISFACTION

**Q**

**QUALITY**

& RELIABILITY

**I**

**INVENTORY**

& CONTROL

**P**

**PRICING**

& DELIVERY

# AIR TURBINE STARTER

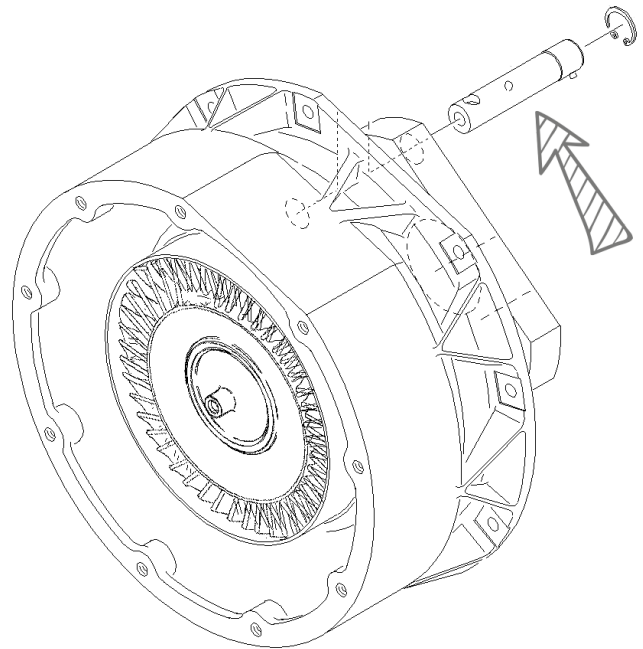
PMA PRODUCT CATALOG • 2022

X 3505953-4 THRU 3505953-5



X = Applicability

## SHAFT GEAR



**PMA PN**  
**AVUS3504769-2**

**OEM PN**  
**3504769-2**

DRAMATIC COST SAVINGS  
FROM OEM

**100%**

CUSTOMERS  
SATISFACTION

Q

**QUALITY**

& RELIABILITY

I

**INVENTORY**

& CONTROL

P

**PRICING**

& DELIVERY

# AIR TURBINE STARTER

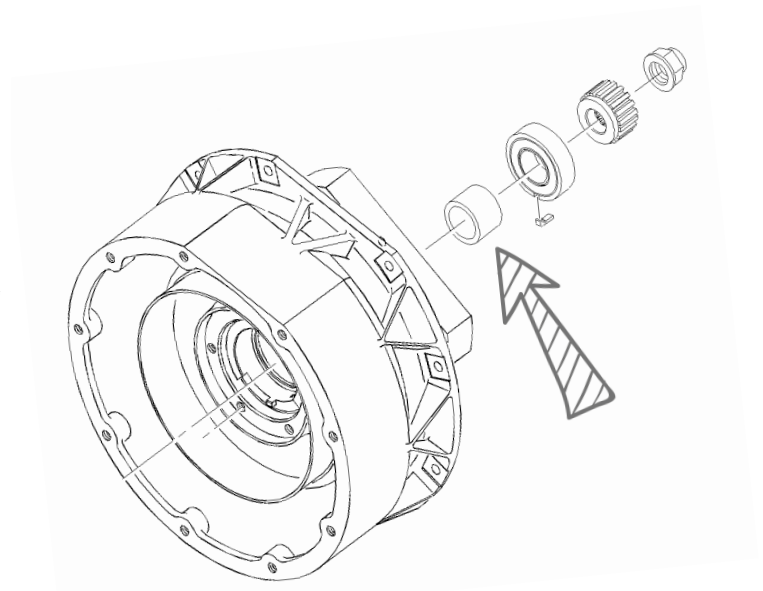
PMA PRODUCT CATALOG • 2022

X 3505953-1 THRU 3505953-7



X = Applicability

## SLEEVE BEARING SPACER



**PMA PN**  
**AVUS3504775-1**

**OEM PN**  
**3504775-1**

DRAMATIC COST SAVINGS  
FROM OEM

**100%**

CUSTOMERS  
SATISFACTION

**Q**

**QUALITY**

& RELIABILITY

**I**

**INVENTORY**

& CONTROL

**P**

**PRICING**

& DELIVERY



# AIR TURBINE STARTER

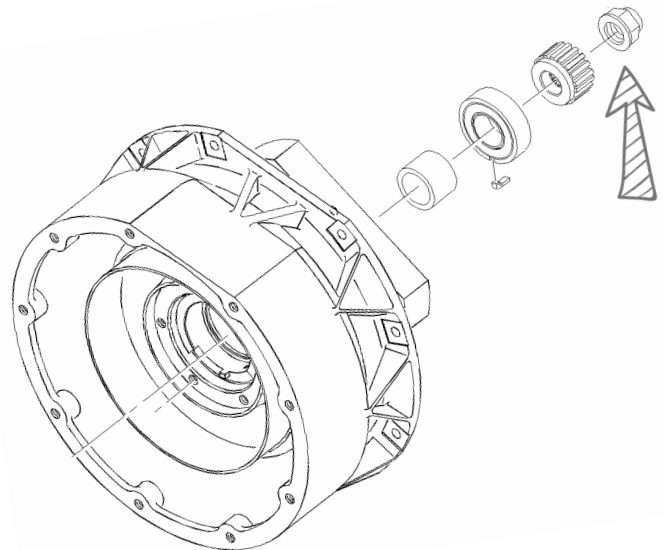
PMA PRODUCT CATALOG • 2022

X 3505953-1 THRU 3505953-7



X = Applicability

## NUT



**PMA PN**  
**AVUS3504772-1**

**OEM PN**  
**3504772-1**

DRAMATIC COST SAVINGS  
FROM OEM

**100%**

CUSTOMERS  
SATISFACTION

Q

**QUALITY**

& RELIABILITY

I

**INVENTORY**

& CONTROL

P

**PRICING**

& DELIVERY

# AIR TURBINE STARTER

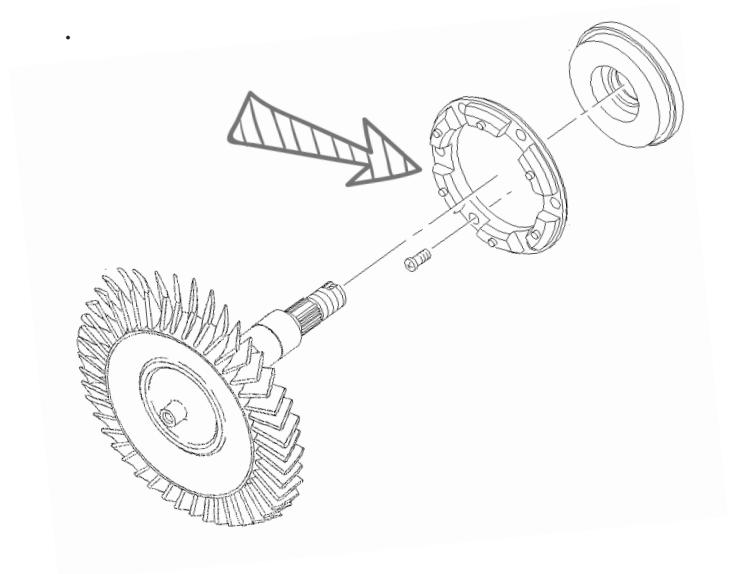
PMA PRODUCT CATALOG • 2022

X 3505953-1 THRU 3505953-5



X = Applicability

## CUTTER RING



**PMA PN**  
**AVUS3504765-1**

**OEM PN**  
**3504765-1**

DRAMATIC COST SAVINGS  
FROM OEM

**100%**

CUSTOMERS  
SATISFACTION

Q

**QUALITY**

& RELIABILITY

I

**INVENTORY**

& CONTROL

P

**PRICING**

& DELIVERY

# AIR TURBINE STARTER

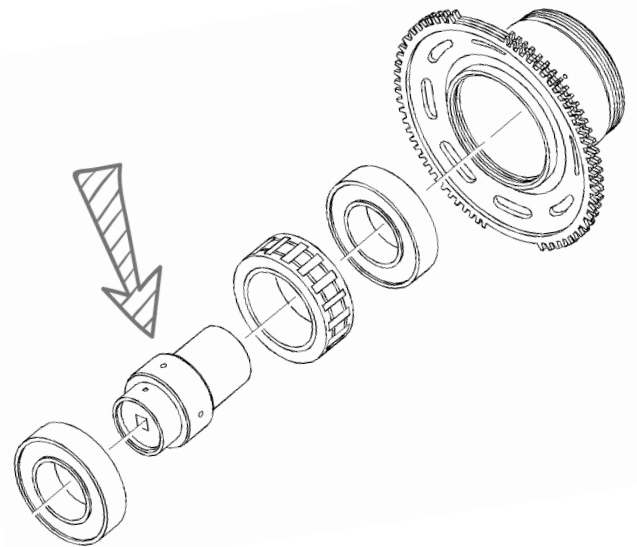
PMA PRODUCT CATALOG • 2022

3505953-2 THRU 3505953-5



X = Applicability

## CLUTCH RACE



**PMA PN**  
**AVUS3504768-2**

**OEM PN**  
**3504768-2**

DRAMATIC COST SAVINGS  
FROM OEM

**100%**

CUSTOMERS  
SATISFACTION

**Q**

**QUALITY**

& RELIABILITY

**I**

**INVENTORY**

& CONTROL

**P**

**PRICING**

& DELIVERY

# AIR TURBINE STARTER

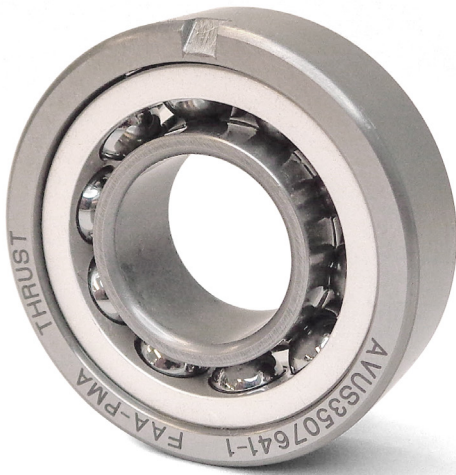
PMA PRODUCT CATALOG • 2022

X 3505953-4 THRU 3505953-5

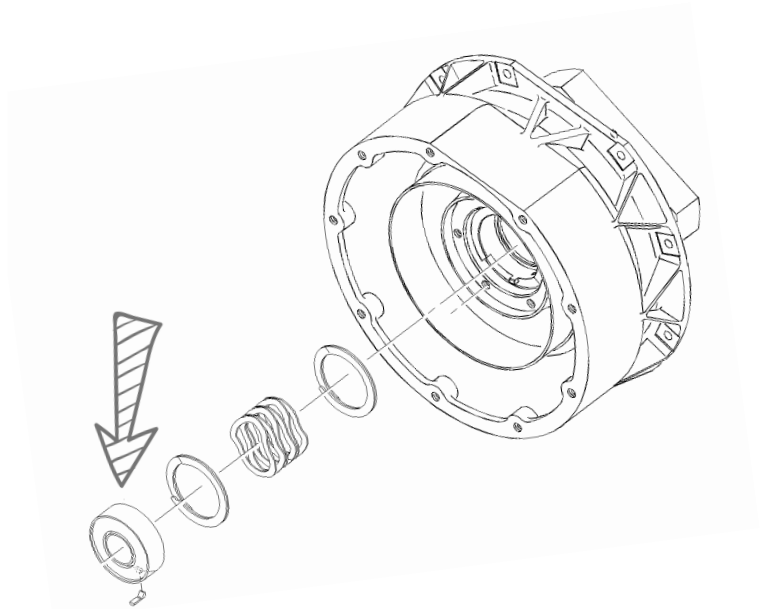


X = Applicability

## ANNULAR BALL BEARING



**PMA PN**  
**AVUS3507641-1**



**OEM PN**  
**3507641-1**

DRAMATIC COST SAVINGS  
FROM OEM

**100%**

CUSTOMERS  
SATISFACTION

**Q**

**QUALITY**

& RELIABILITY

**I**

**INVENTORY**

& CONTROL

**P**

**PRICING**

& DELIVERY

# AIR TURBINE STARTER

PMA PRODUCT CATALOG • 2022

X 3505953-4 THRU 3505953-5

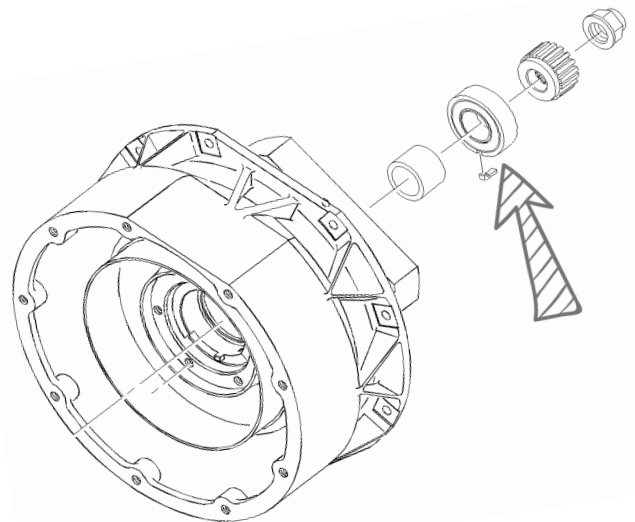


X = Applicability

## ANNULAR BALL BEARING



**PMA PN**  
**AVUS3507656-1**



**OEM PN**  
**3507656-1**

DRAMATIC COST SAVINGS  
FROM OEM

**100%**  
CUSTOMERS  
SATISFACTION

Q

**QUALITY**

& RELIABILITY

I

**INVENTORY**

& CONTROL

P

**PRICING**

& DELIVERY



# AIR TURBINE STARTER

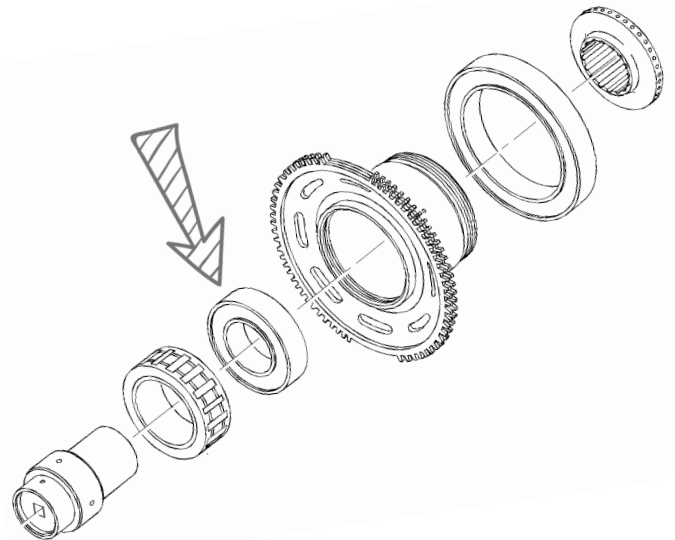
PMA PRODUCT CATALOG • 2022

X 3505953-1 THRU 3505953-7



X = Applicability

## ANNULAR BALL BEARING



**PMA PN**  
**AVUS3502572-1**

**OEM PN**  
**3502572-1**

DRAMATIC COST SAVINGS  
FROM OEM

**100%**

CUSTOMERS  
SATISFACTION

Q

**QUALITY**

& RELIABILITY

I

**INVENTORY**

& CONTROL

P

**PRICING**

& DELIVERY

# AIR TURBINE STARTER

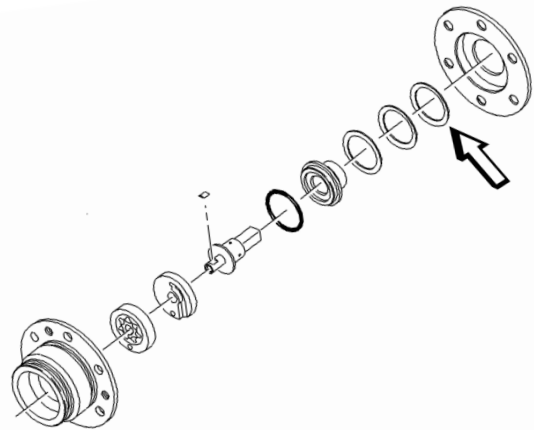
PMA PRODUCT CATALOG • 2022

X 3505953-1 THRU 3505953-7



X = Applicability

## SPRING TENSION WASHER



**PMA PN**  
**AVUS117282-61**

**OEM PN**  
**117282-61**

DRAMATIC COST SAVINGS  
FROM OEM

**100%**

CUSTOMERS  
SATISFACTION

Q

**QUALITY**

& RELIABILITY

I

**INVENTORY**

& CONTROL

P

**PRICING**

& DELIVERY

# AIR TURBINE STARTER

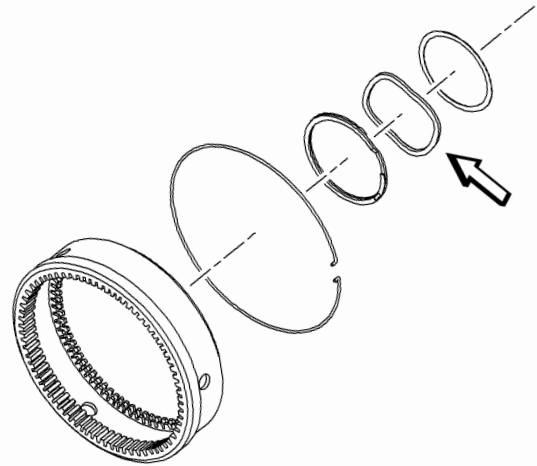
PMA PRODUCT CATALOG • 2022

X 3505953-1 THRU 3505953-7



X = Applicability

## SPRING TENSION WASHER



**PMA PN**  
**AVUS3502719-2**

**OEM PN**  
**3502719-2**

DRAMATIC COST SAVINGS  
FROM OEM

**100%**  
CUSTOMERS  
SATISFACTION

Q

**QUALITY**

& RELIABILITY

I

**INVENTORY**

& CONTROL

P

**PRICING**

& DELIVERY

# AIR TURBINE STARTER

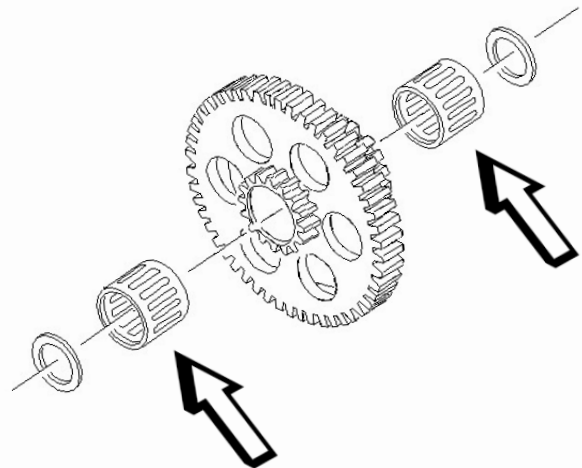
PMA PRODUCT CATALOG • 2022

X 3505953-1 THRU 3505953-7



X = Applicability

## RADIAL NEEDLE ROLLER BEARING



**PMA PN**  
**AVUS3504764-1**

**OEM PN**  
**3504764-1**

DRAMATIC COST SAVINGS  
FROM OEM

**100%**

CUSTOMERS  
SATISFACTION

**Q**

**QUALITY**

& RELIABILITY

**I**

**INVENTORY**

& CONTROL

**P**

**PRICING**

& DELIVERY

# AIR TURBINE STARTER

PMA PRODUCT CATALOG • 2022

X 3505953-4 THRU 3505953-5



X = Applicability

## RETAINING RING



**PMA PN**  
**AVUS3507640-1**

**OEM PN**  
**3507640-1**

DRAMATIC COST SAVINGS  
FROM OEM

**100%**

CUSTOMERS  
SATISFACTION

Q

**QUALITY**

& RELIABILITY

I

**INVENTORY**

& CONTROL

P

**PRICING**

& DELIVERY

# AIR TURBINE STARTER

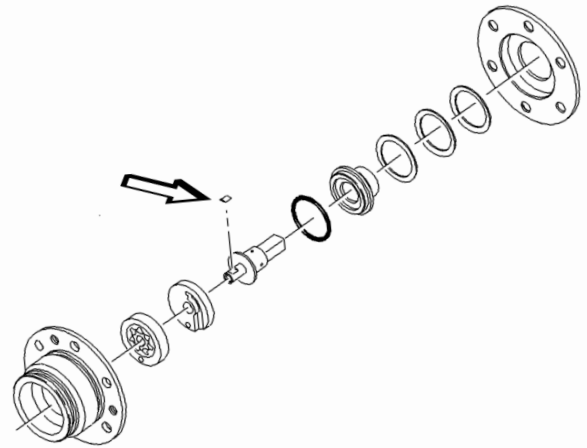
PMA PRODUCT CATALOG • 2022

X 3505953-1 THRU 3505953-7



X = Applicability

## PUMP KEY



**PMA PN**  
**AVUS3503413-1**

**OEM PN**  
**3503413-1**

DRAMATIC COST SAVINGS  
FROM OEM

**100%**

CUSTOMERS  
SATISFACTION

**Q**

**QUALITY**

& RELIABILITY

**I**

**INVENTORY**

& CONTROL

**P**

**PRICING**

& DELIVERY



# AIR TURBINE STARTER

PMA PRODUCT CATALOG • 2022

X 3505953-4 THRU 3505953-5



X = Applicability

## RETAINING RING



**PMA PN**  
**AVUS3507640-1**

**OEM PN**  
**3507640-1**

DRAMATIC COST SAVINGS  
FROM OEM

**100%**

CUSTOMERS  
SATISFACTION

**Q**

**QUALITY**

& RELIABILITY

**I**

**INVENTORY**

& CONTROL

**P**

**PRICING**

& DELIVERY

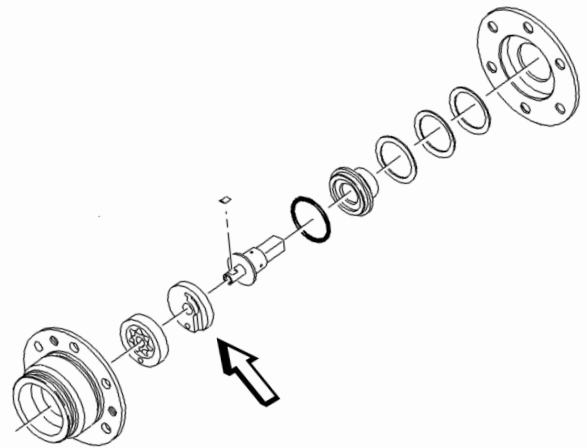
# AIR TURBINE STARTER

PMA PRODUCT CATALOG • 2022

X 3505953-4 THRU 3505953-5



## PUMP PLATE



**PMA PN**  
**AVUS3507687-1**

**OEM PN**  
**3507687-1**

DRAMATIC COST SAVINGS  
FROM OEM

**100%**  
CUSTOMERS  
SATISFACTION

Q

**QUALITY**

& RELIABILITY

I

**INVENTORY**

& CONTROL

P

**PRICING**

& DELIVERY

# AIR TURBINE STARTER

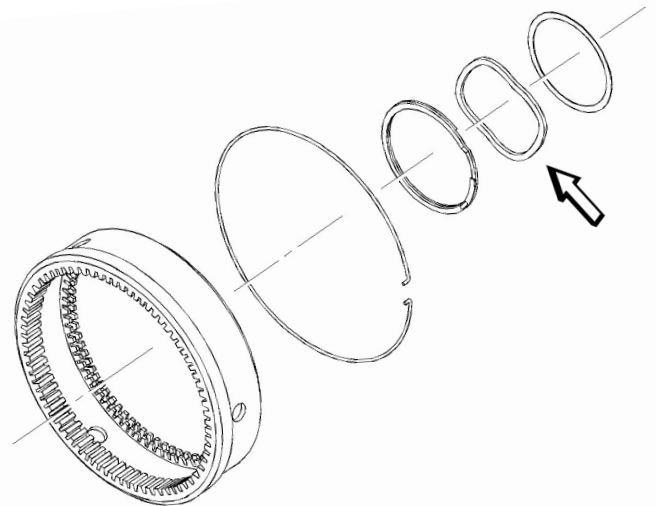
PMA PRODUCT CATALOG • 2022

X 3505953-4 THRU 3505953-5



X = Applicability

## SPRING COMPRESSION WASHER



**PMA PN**  
**AVUS3507652-1**

**OEM PN**  
**3507652-1**

DRAMATIC COST SAVINGS  
FROM OEM

**100%**  
CUSTOMERS  
SATISFACTION

**Q**

**QUALITY**

& RELIABILITY

**I**

**INVENTORY**

& CONTROL

**P**

**PRICING**

& DELIVERY

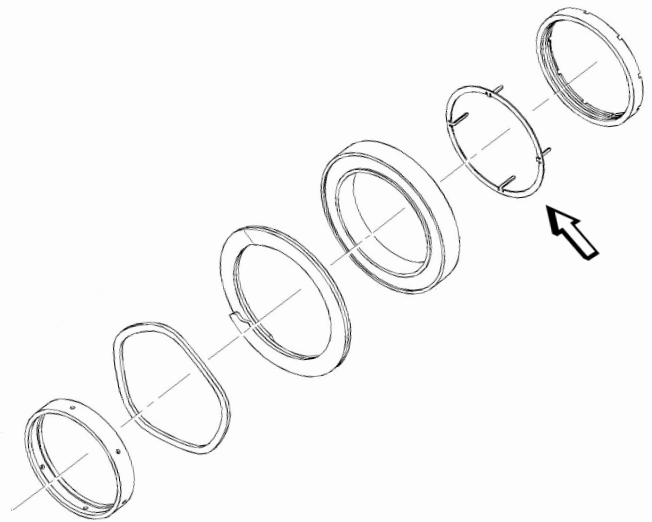
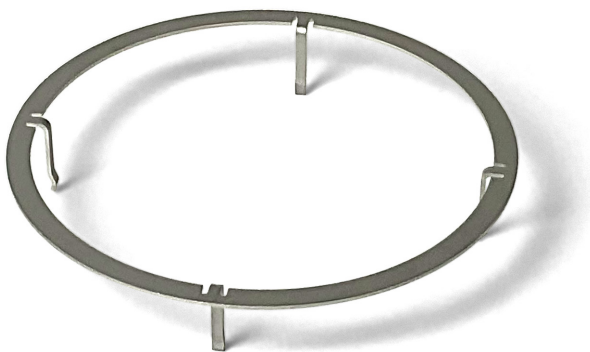
# AIR TURBINE STARTER

PMA PRODUCT CATALOG • 2022

X 3505953-1 THRU 3505953-7



## RETAINING LOCK TAB



**PMA PN**  
**AVUS3504766-1**

**OEM PN**  
**3504766-1**

DRAMATIC COST SAVINGS  
FROM OEM

**100%**  
CUSTOMERS  
SATISFACTION

Q

**QUALITY**

& RELIABILITY

I

**INVENTORY**

& CONTROL

P

**PRICING**

& DELIVERY

# AIR TURBINE STARTER

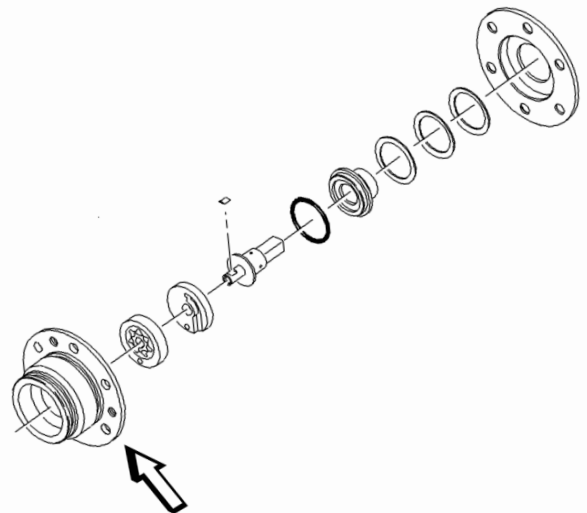
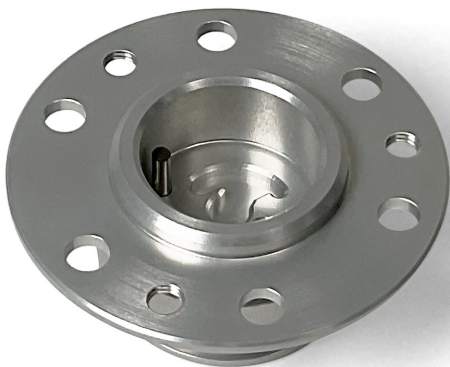
PMA PRODUCT CATALOG • 2022

X 3505953-4 THRU 3505953-5



X = Applicability

## HOUSING PUMP



**PMA PN**  
**AVUS3507688-1**

**OEM PN**  
**3507688-1**

DRAMATIC COST SAVINGS  
FROM OEM

**100%**

CUSTOMERS  
SATISFACTION

**Q**

**QUALITY**

& RELIABILITY

**I**

**INVENTORY**

& CONTROL

**P**

**PRICING**

& DELIVERY