

AVIATRON INC.



PMA PRODUCT CATALOG

AIR CYCLE MACHINE

PN 2206400-2

BOEING 737NG SERIES

[www.aviatron.com](http://www.aviatron.com)

# AIR CYCLE MACHINE

PMA PRODUCT CATALOG • 2022

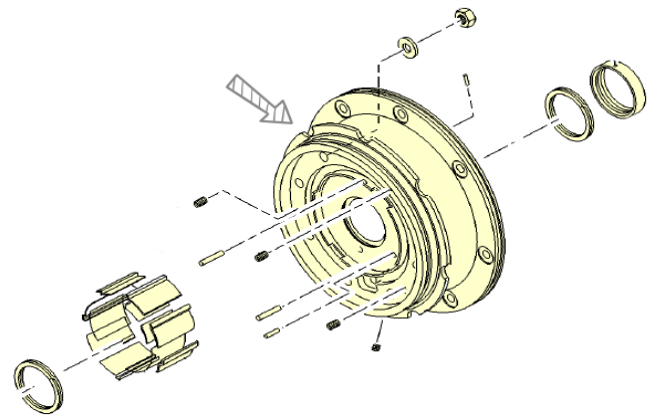
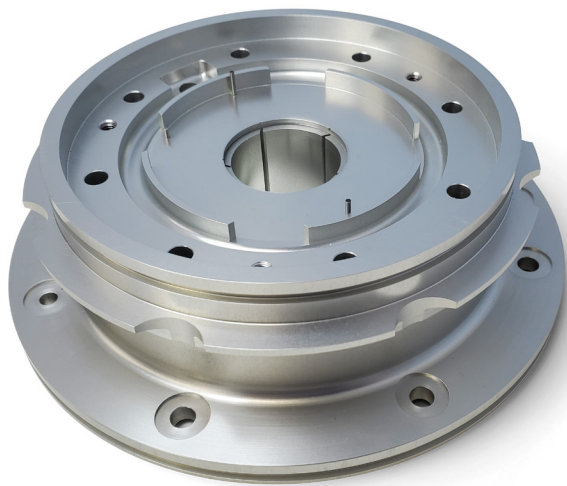
BOEING 737NG SERIES

X 2206400-1 THRU 2206400-2



X = Applicability

## BEARING SUPPORT



**PMA PN**  
**AVUS2206442-5**

**OEM PN**  
**2206442-5**

DRAMATIC COST SAVINGS  
FROM OEM

**100%**

CUSTOMERS  
SATISFACTION

Q

**QUALITY**

& RELIABILITY

I

**INVENTORY**

& CONTROL

P

**PRICING**

& DELIVERY

# AIR CYCLE MACHINE

PMA PRODUCT CATALOG • 2022

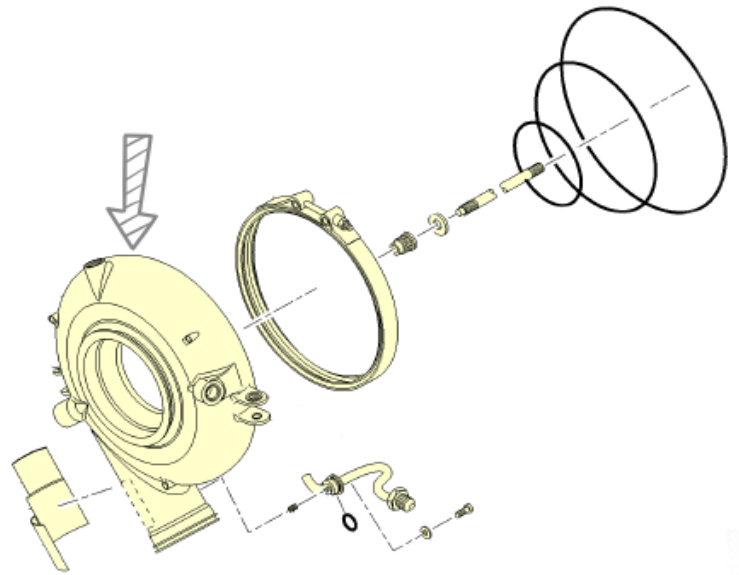
BOEING 737NG SERIES

X 2206400-1 THRU 2206400-2



X = Applicability

## TURBINE TOURUS



**PMA PN**  
**AVUS2206409-5**

**OEM PN**  
**2206409-5**

DRAMATIC COST SAVINGS  
FROM OEM

**100%**

CUSTOMERS  
SATISFACTION

Q

**QUALITY**

& RELIABILITY

I

**INVENTORY**

& CONTROL

P

**PRICING**

& DELIVERY

# AIR CYCLE MACHINE

PMA PRODUCT CATALOG • 2022

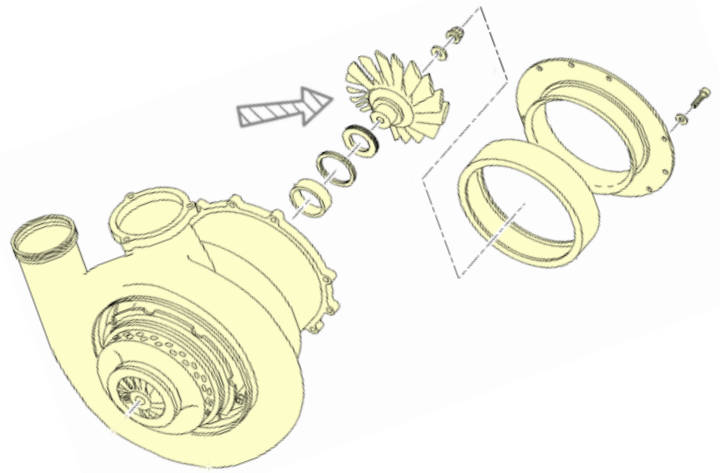
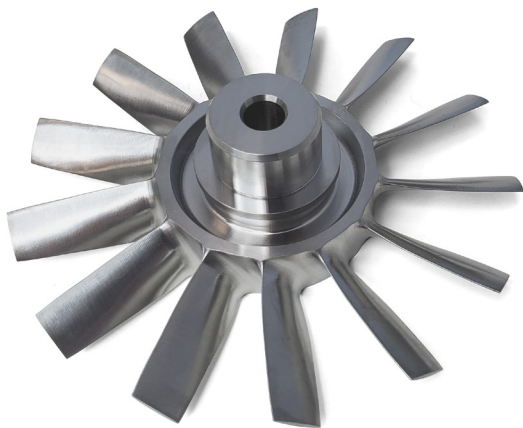
BOEING 737NG SERIES

X 2206400-1 THRU 2206400-2



X = Applicability

## COOLING FAN



**PMA PN**  
**AVUS2206469-1**

**OEM PN**  
**2206469-1**

DRAMATIC COST SAVINGS  
FROM OEM

**100%**

CUSTOMERS  
SATISFACTION

Q

**QUALITY**

& RELIABILITY

I

**INVENTORY**

& CONTROL

P

**PRICING**

& DELIVERY

# AIR CYCLE MACHINE

PMA PRODUCT CATALOG • 2022

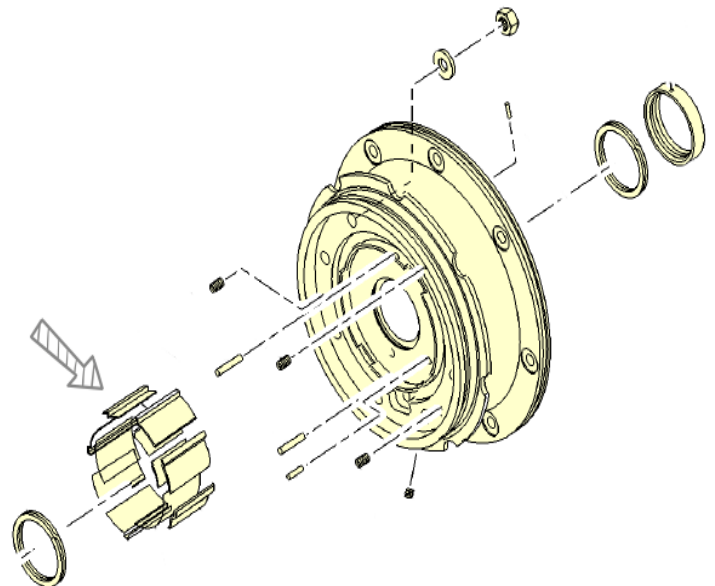
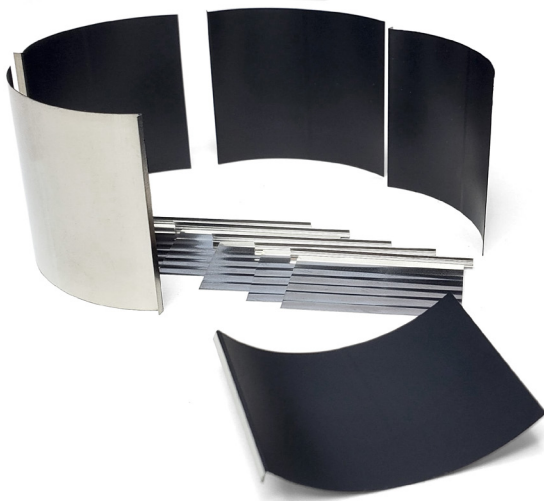
BOEING 737NG SERIES

X 2206400-1 THRU 2206400-2



X = Applicability

## JOURNAL BEARINGS



**PMA PN**  
**AVUS2207347-2**

**OEM PN**  
**2207347-2**

DRAMATIC COST SAVINGS  
FROM OEM

**100%**  
CUSTOMERS  
SATISFACTION

**Q**

**QUALITY**

& RELIABILITY

**I**

**INVENTORY**

& CONTROL

**P**

**PRICING**

& DELIVERY

# AIR CYCLE MACHINE

PMA PRODUCT CATALOG • 2022

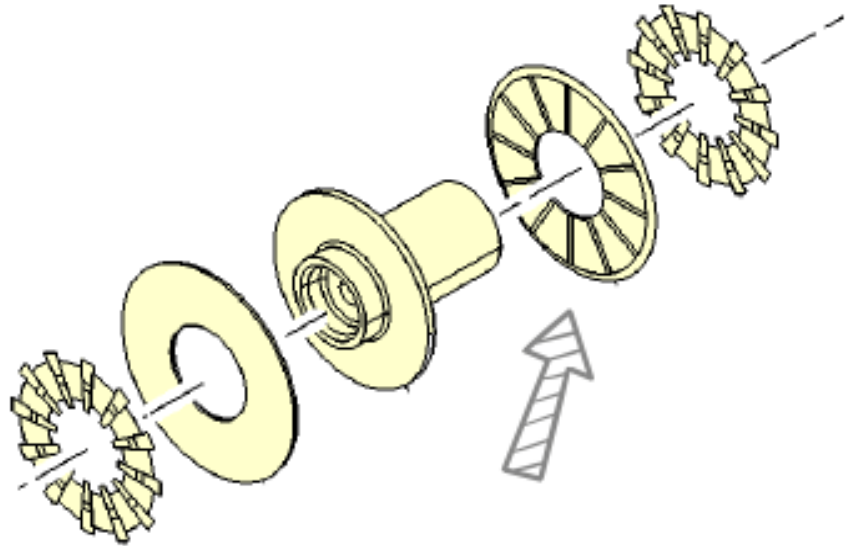
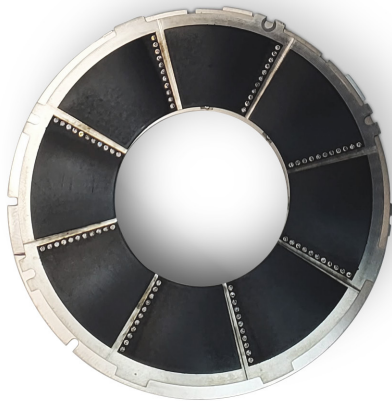
BOEING 737NG SERIES

X 2206400-1 THRU 2206400-2



X = Applicability

## THRUST BEARINGS CW



**PMA PN**  
**AVUS2207333-1**

**OEM PN**  
**2207333-1**

DRAMATIC COST SAVINGS  
FROM OEM

**100%**

CUSTOMERS  
SATISFACTION

Q

**QUALITY**

& RELIABILITY

I

**INVENTORY**

& CONTROL

P

**PRICING**

& DELIVERY

# AIR CYCLE MACHINE

PMA PRODUCT CATALOG • 2022

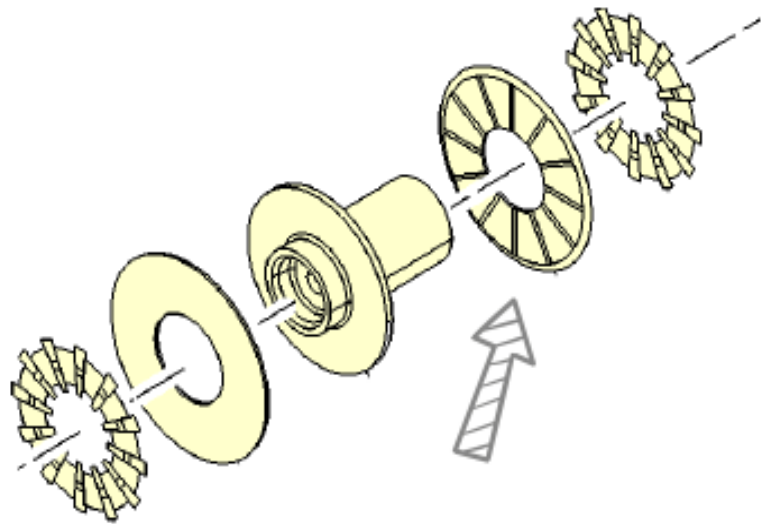
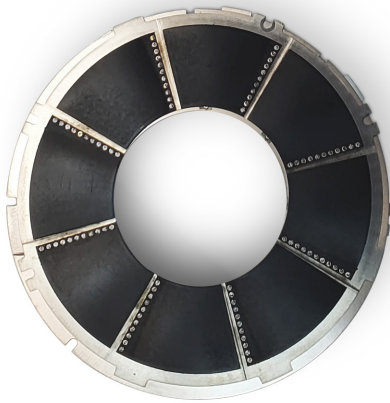
BOEING 737NG SERIES

X 2206400-1 THRU 2206400-2



X = Applicability

## THRUST BEARINGS CCW



**PMA PN**  
**AVUS2207333-2**

**OEM PN**  
**2207333-2**

DRAMATIC COST SAVINGS  
FROM OEM

**100%**  
CUSTOMERS  
SATISFACTION

Q

**QUALITY**

& RELIABILITY

I

**INVENTORY**

& CONTROL

P

**PRICING**

& DELIVERY

# AIR CYCLE MACHINE

PMA PRODUCT CATALOG • 2022

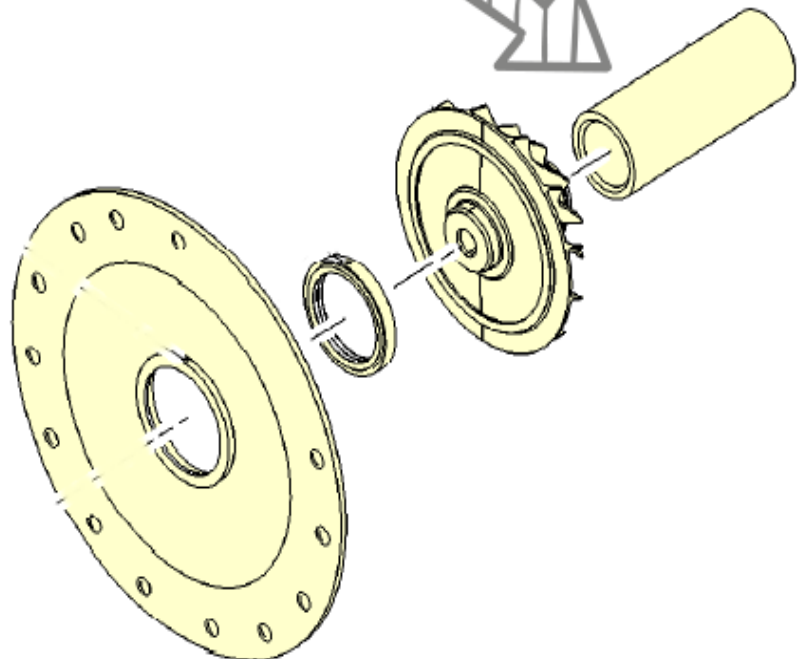
BOEING 737NG SERIES

X 2206400-1 THRU 2206400-2



X = Applicability

FAN SHAFT



**PMA PN**  
**AVUS2205774-1**

**OEM PN**  
**2205774-1**

DRAMATIC COST SAVINGS  
FROM OEM

**100%**  
CUSTOMERS  
SATISFACTION

Q

**QUALITY**

& RELIABILITY

I

**INVENTORY**

& CONTROL

P

**PRICING**

& DELIVERY



# AIR CYCLE MACHINE

PMA PRODUCT CATALOG • 2022

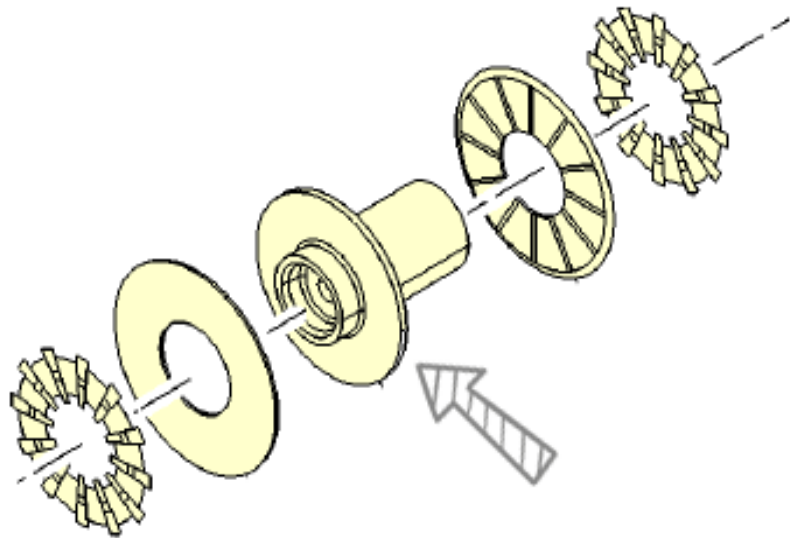
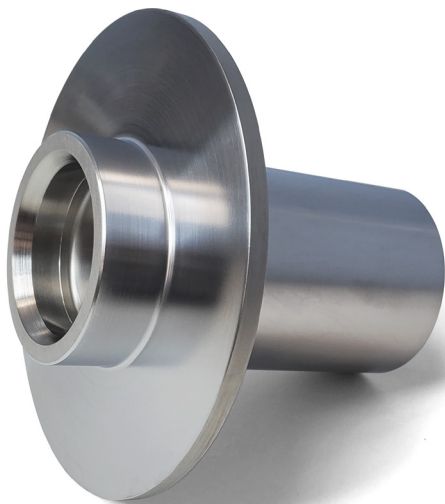
BOEING 737NG SERIES

X 2206400-1 THRU 2206400-2



X = Applicability

SHAFT



**PMA PN**  
**AVUS2205772-1**

**OEM PN**  
**2205772-1**

DRAMATIC COST SAVINGS  
FROM OEM

**100%**

CUSTOMERS  
SATISFACTION

Q

**QUALITY**

& RELIABILITY

I

**INVENTORY**

& CONTROL

P

**PRICING**

& DELIVERY

# AIR CYCLE MACHINE

PMA PRODUCT CATALOG • 2022

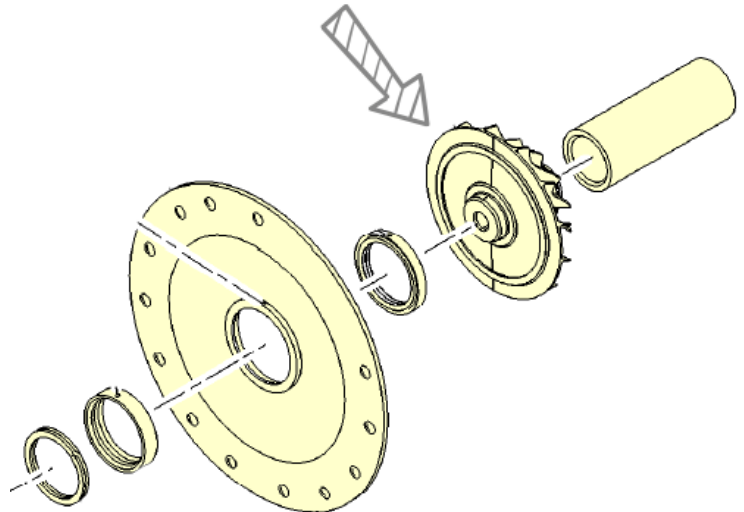
BOEING 737NG SERIES

X 2206400-1 THRU 2206400-2



X = Applicability

## COMPRESSOR IMPELLER



**PMA PN**  
**AVUS2206405-1**

**OEM PN**  
**2206405-1**

DRAMATIC COST SAVINGS  
FROM OEM

**100%**  
CUSTOMERS  
SATISFACTION

Q

**QUALITY**

& RELIABILITY

I

**INVENTORY**

& CONTROL

P

**PRICING**

& DELIVERY

# AIR CYCLE MACHINE

PMA PRODUCT CATALOG • 2022

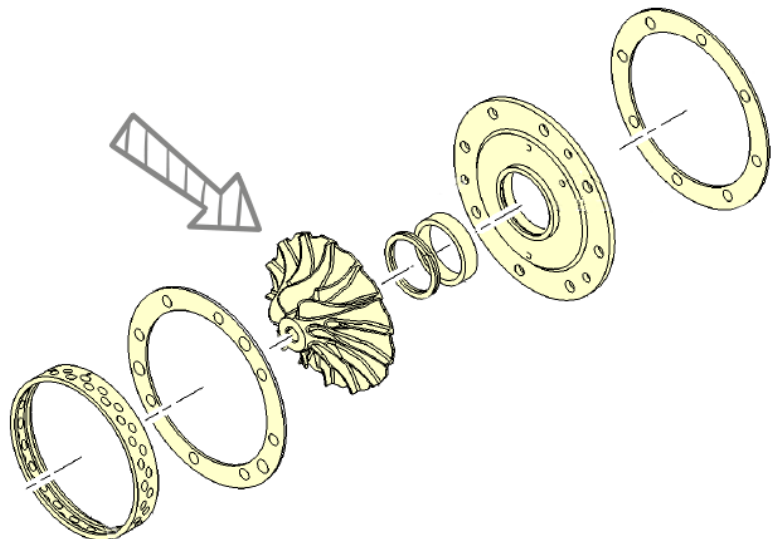
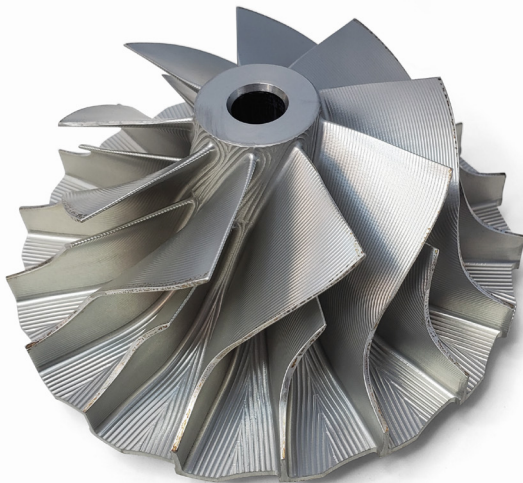
BOEING 737NG SERIES

X 2206400-1 THRU 2206400-2



X = Applicability

## TURBINE WHEEL



**PMA PN**  
**AVUS2206408-1**

**OEM PN**  
**2206408-1**

DRAMATIC COST SAVINGS  
FROM OEM

**100%**

CUSTOMERS  
SATISFACTION

**Q**

**QUALITY**

& RELIABILITY

**I**

**INVENTORY**

& CONTROL

**P**

**PRICING**

& DELIVERY

# AIR CYCLE MACHINE

PMA PRODUCT CATALOG • 2022

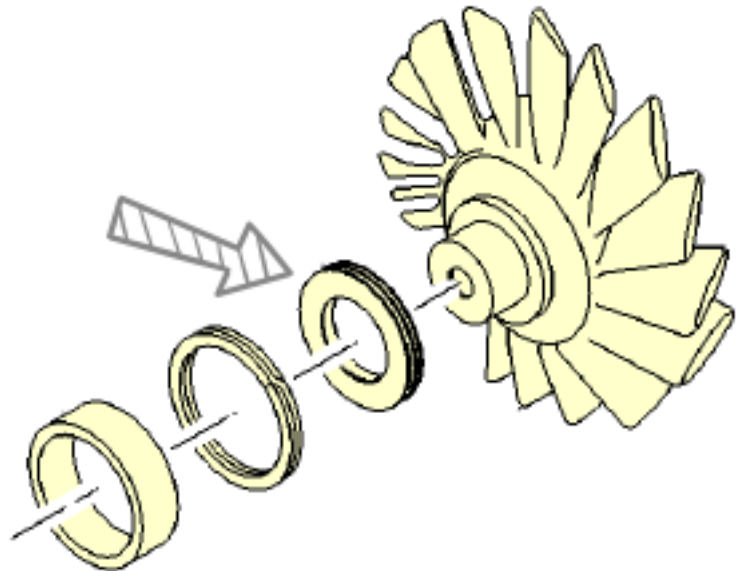
BOEING 737NG SERIES

X 2206400-1 THRU 2206400-2



X = Applicability

## ROTOR SEAL FAN END



**PMA PN**  
**AVUS2205775-1**

**OEM PN**  
**2205775-1**

DRAMATIC COST SAVINGS  
FROM OEM

**100%**

CUSTOMERS  
SATISFACTION

**Q**

**QUALITY**

& RELIABILITY

**I**

**INVENTORY**

& CONTROL

**P**

**PRICING**

& DELIVERY

# AIR CYCLE MACHINE

PMA PRODUCT CATALOG • 2022

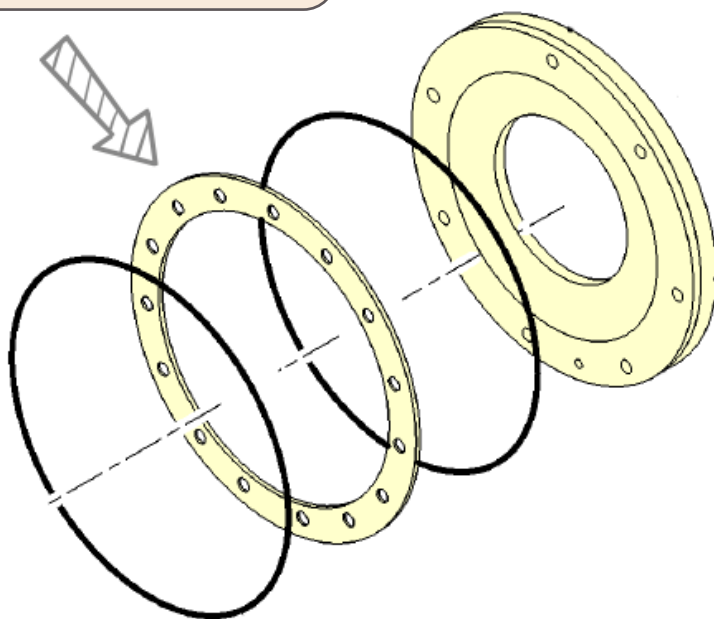
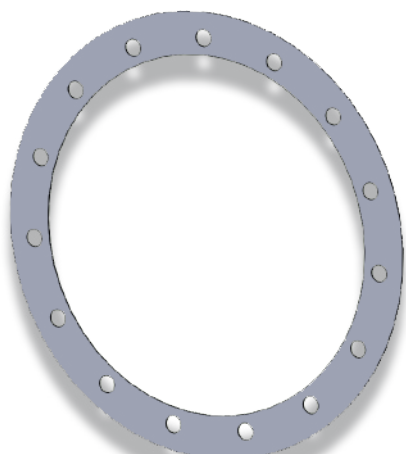
BOEING 737NG SERIES

X 2206400-1 THRU 2206400-2



X = Applicability

## COMPRESSOR SHIM



### PMA PN

AVUS2205785-1  
AVUS2205785-2  
AVUS2205785-3  
AVUS2205785-4

### OEM PN

2205785-1  
2205785-2  
2205785-3  
2205785-4

DRAMATIC COST SAVINGS  
FROM OEM

**100%**

CUSTOMERS  
SATISFACTION

Q

**QUALITY**

& RELIABILITY

I

**INVENTORY**

& CONTROL

P

**PRICING**

& DELIVERY

# AIR CYCLE MACHINE

PMA PRODUCT CATALOG • 2022

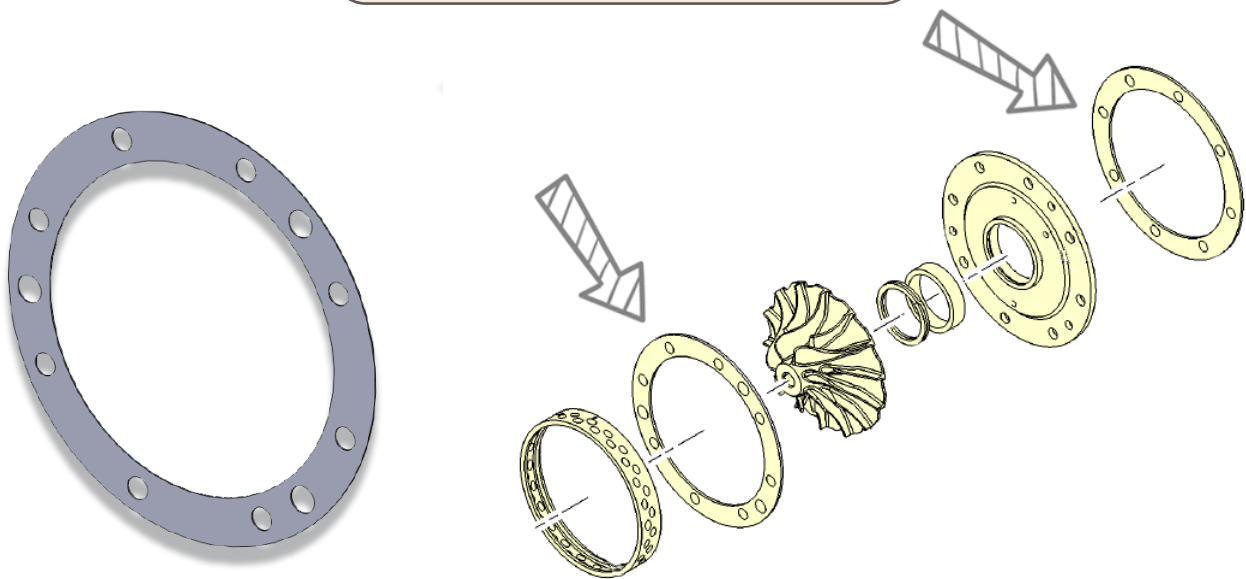
BOEING 737NG SERIES

X 2206400-1 THRU 2206400-2



X = Applicability

## TURBINE SHIM



### PMA PN

AVUS2205834-1  
AVUS2205834-2  
AVUS2205834-3  
AVUS2205834-4

### OEM PN

2205834-1  
2205834-2  
2205834-3  
2205834-4

DRAMATIC COST SAVINGS  
FROM OEM

**100%**

CUSTOMERS  
SATISFACTION

Q

**QUALITY**

& RELIABILITY

I

**INVENTORY**

& CONTROL

P

**PRICING**

& DELIVERY

# AIR CYCLE MACHINE

PMA PRODUCT CATALOG • 2022

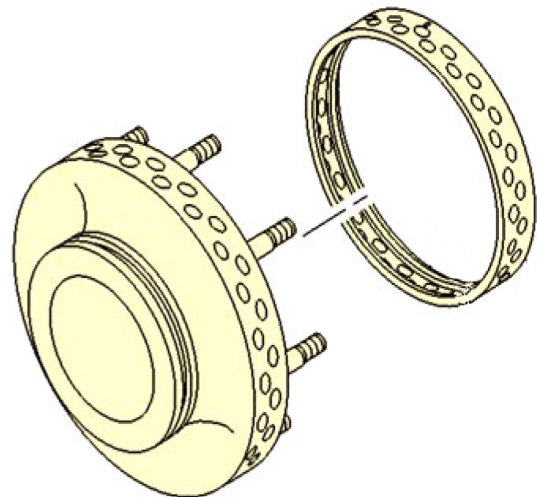
BOEING 737NG SERIES

X 2206400-1 THRU 2206400-2



X = Applicability

## NOZZLE ASSEMBLY



**PMA PN**  
**AVUS2206407-1**

**OEM PN**  
**2206407-1**

DRAMATIC COST SAVINGS  
FROM OEM

**100%**

CUSTOMERS  
SATISFACTION

**Q**

**QUALITY**

& RELIABILITY

**I**

**INVENTORY**

& CONTROL

**P**

**PRICING**

& DELIVERY

# AIR CYCLE MACHINE

PMA PRODUCT CATALOG • 2022

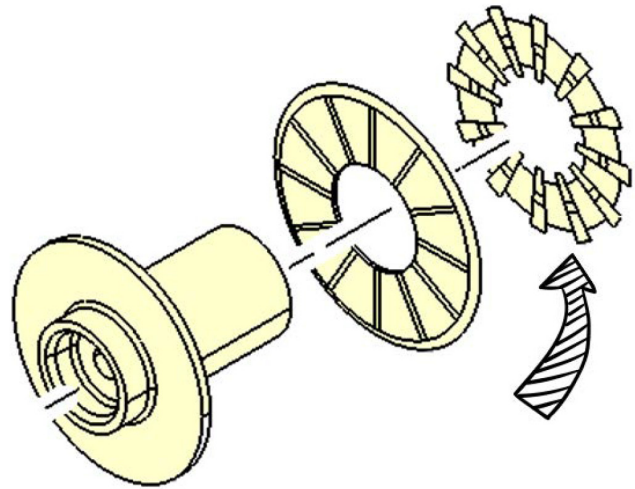
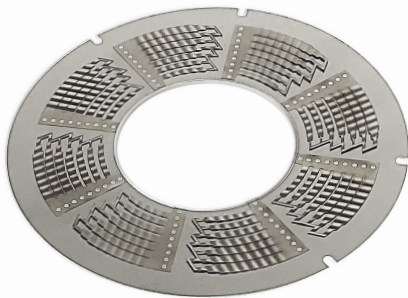
BOEING 737NG SERIES

X 2206400-1 THRU 2206400-2



X = Applicability

## SPRING ASSEMBLY



**PMA PN**  
**AVUS2207334-1**

**OEM PN**  
**2207334-1**

DRAMATIC COST SAVINGS  
FROM OEM

**100%**  
CUSTOMERS  
SATISFACTION

**Q**

**QUALITY**

& RELIABILITY

**I**

**INVENTORY**

& CONTROL

**P**

**PRICING**

& DELIVERY



# AIR CYCLE MACHINE

PMA PRODUCT CATALOG • 2022

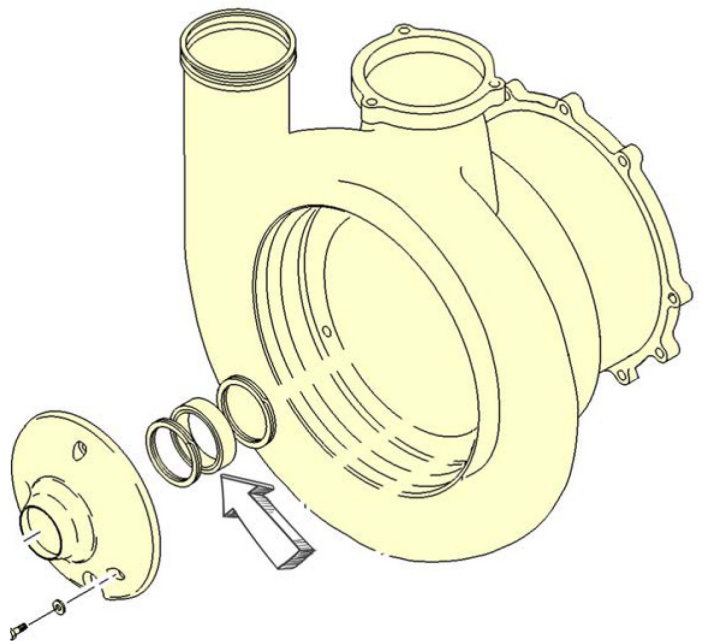
BOEING 737NG SERIES

X 2206400-1 THRU 2206400-2



X = Applicability

## SEAL



**PMA PN**  
**AVUS2205783-1**

**OEM PN**  
**2205783-1**

DRAMATIC COST SAVINGS  
FROM OEM

**100%**

CUSTOMERS  
SATISFACTION

**Q**

**QUALITY**

& RELIABILITY

**I**

**INVENTORY**

& CONTROL

**P**

**PRICING**

& DELIVERY

# AIR CYCLE MACHINE

PMA PRODUCT CATALOG • 2022

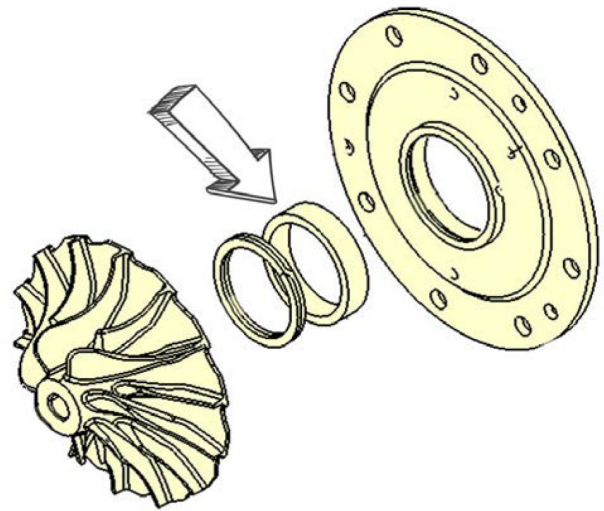
BOEING 737NG SERIES

X 2206400-1 THRU 2206400-2



X = Applicability

## SEAL



**PMA PN**  
**AVUS2205783-2**

**OEM PN**  
**2205783-2**

DRAMATIC COST SAVINGS  
FROM OEM

**100%**

CUSTOMERS  
SATISFACTION

**Q**

**QUALITY**

& RELIABILITY

**I**

**INVENTORY**

& CONTROL

**P**

**PRICING**

& DELIVERY

# AIR CYCLE MACHINE

PMA PRODUCT CATALOG • 2022

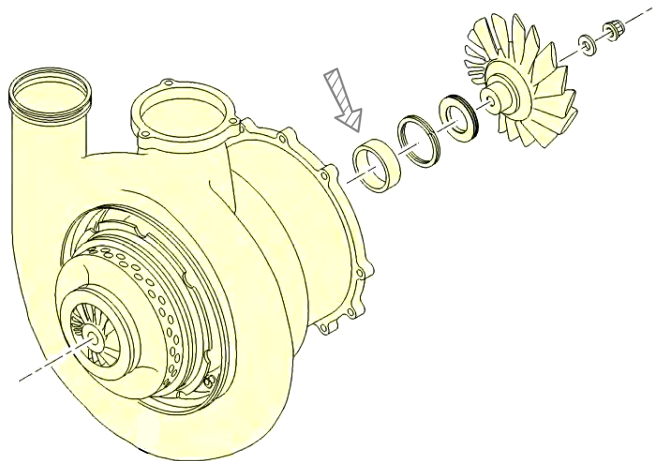
BOEING 737NG SERIES

**X** 2206400-1 THRU 2206400-2



X = Applicability

## SEAL FAN



**PMA PN**  
**AVUS2205793-1**

**OEM PN**  
**2205793-1**

DRAMATIC COST SAVINGS  
FROM OEM

**100%**

CUSTOMERS  
SATISFACTION

**Q**

**QUALITY**

& RELIABILITY

**I**

**INVENTORY**

& CONTROL

**P**

**PRICING**

& DELIVERY

# AIR CYCLE MACHINE

PMA PRODUCT CATALOG • 2022

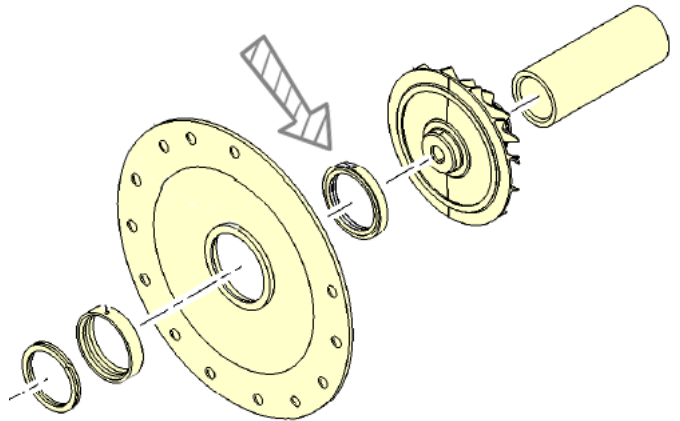
BOEING 737NG SERIES

X 2206400-1 THRU 2206400-2



X = Applicability

## SEAL COMPRESSOR



**PMA PN**  
**AVUS2205956-1**

**OEM PN**  
**2205956-1**

DRAMATIC COST SAVINGS  
FROM OEM

**100%**  
CUSTOMERS  
SATISFACTION

**Q**

**QUALITY**

& RELIABILITY

**I**

**INVENTORY**

& CONTROL

**P**

**PRICING**

& DELIVERY

# AIR CYCLE MACHINE

PMA PRODUCT CATALOG • 2022

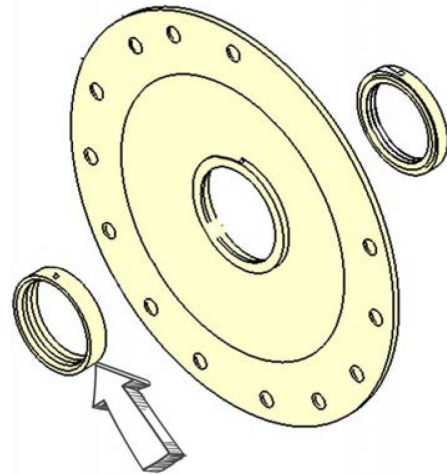
BOEING 737NG SERIES

X 2206400-1 THRU 2206400-2



X = Applicability

## SEAL BEARING



**PMA PN**  
**AVUS2205957-1**

**OEM PN**  
**2205957-1**

DRAMATIC COST SAVINGS  
FROM OEM

**100%**

CUSTOMERS  
SATISFACTION

**Q**

**QUALITY**

& RELIABILITY

**I**

**INVENTORY**

& CONTROL

**P**

**PRICING**

& DELIVERY