

# AVIATRON INC.



PMA PRODUCT CATALOG  
AIRBUS A319 | A320  
[www.aviatron.com](http://www.aviatron.com)



Revision 002 6/21/2023

# AVIATRON INC.

## Index

[Blanking Duct](#)  
[Compressor Shaft](#)  
[Compressor Shaft Assembly](#)  
[Compressor Wheel](#)  
[Cover Fan](#)  
[Fan Shroud](#)  
[Fan Sleeve](#)  
[Fan Wheel](#)  
[Filter](#)  
[Flange](#)  
[Flange Assembly](#)  
[Gasket](#)  
[Heating Sleeve](#)  
[Injector Blade & Fan Assembly](#)  
[Injector Cover](#)  
[Insert](#)  
[Journal Bearings](#)  
[Nut](#)  
[O-Ring / Packing](#)  
[Plug](#)  
[Return Duct](#)  
[Sealing Ring](#)  
[Seal Cover](#)  
[Shim](#)  
[Shim Flange Injector](#)  
[Shouldered Ring](#)  
[Shroud](#)  
[Spacer](#)  
[Stiffener Disc](#)  
[Stop](#)  
[Support Spring](#)  
[Tapping Duct](#)  
[Thrust Bearings](#)  
[Tie Rod](#)

PMA PRODUCT CATALOG

AIRBUS A319 | A320

# AIRBUS A319 | A320

PMA PRODUCT CATALOG

**1263A0000-03**

AIR CYCLE MACHINE

**1814A0000-02**

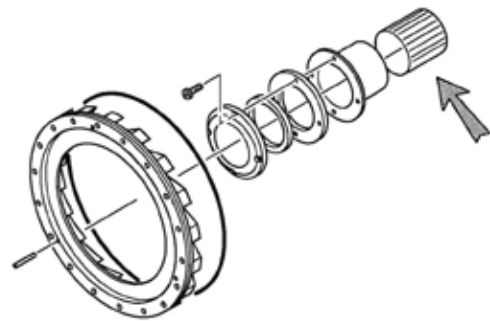
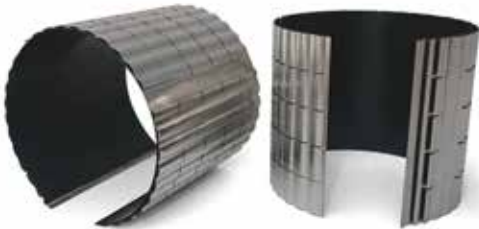
AIR CYCLE MACHINE

**1263C0000-03**

AIR CYCLE MACHINE

## JOURNAL BEARING

Journal Bearing, all bearings are functional tested prior to shipping.



**PMA PN**  
**AVUSS975A050**

**OEM PN**  
**S975A050**

DRAMATIC COST  
SAVINGS FROM OEM

**100%**  
CUSTOMERS  
SATISFACTION

[CONTACT US TODAY](#)

**Q**

**QUALITY**

& RELIABILITY

**I**

**INVENTORY**

& CONTROL

**P**

**PRICING**

& DELIVERY

# AIRBUS A319 | A320

PMA PRODUCT CATALOG

**1263A0000-03**

AIR CYCLE MACHINE

**1814A0000-02**

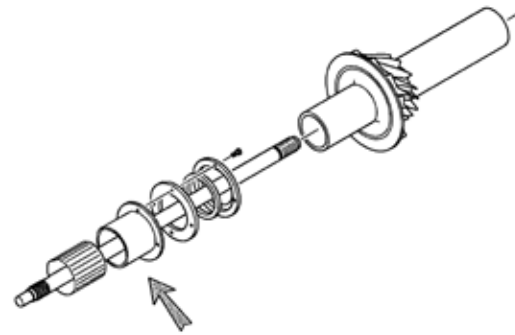
AIR CYCLE MACHINE

**1263C0000-03**

AIR CYCLE MACHINE

## TURBINE SLEEVE

Journal Bearing Sleeve, for use at turbine end of compressor shaft only.



**PMA PN**  
**AVUS3455-64**

**OEM PN**  
**3455-64**

DRAMATIC COST  
SAVINGS FROM OEM

**100%**  
CUSTOMERS  
SATISFACTION

[CONTACT US TODAY](#)

**Q**

**QUALITY**

& RELIABILITY

**I**

**INVENTORY**

& CONTROL

**P**

**PRICING**

& DELIVERY

# AIRBUS A319 | A320

PMA PRODUCT CATALOG

**1263A0000-03**

AIR CYCLE MACHINE

**1814A0000-02**

AIR CYCLE MACHINE

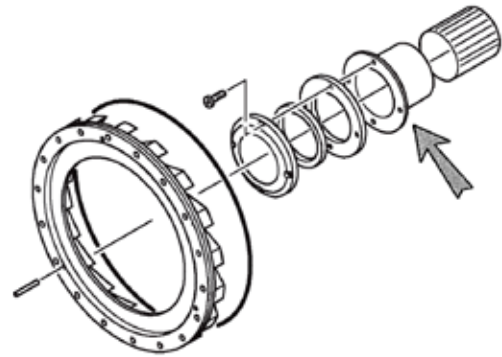
**1263C0000-03**

AIR CYCLE MACHINE

## FAN SLEEVE



Journal Bearing Sleeve, for use at fan end of compressor shaft only.



**PMA PN**  
AVUS3455-65

**OEM PN**  
3455-65

DRAMATIC COST  
SAVINGS FROM OEM

**100%**  
CUSTOMERS  
SATISFACTION

[CONTACT US TODAY](#)

**Q**

**QUALITY**

& RELIABILITY

**I**

**INVENTORY**

& CONTROL

**P**

**PRICING**

& DELIVERY

# AIRBUS A319 | A320

PMA PRODUCT CATALOG

**1263A0000-03**

AIR CYCLE MACHINE

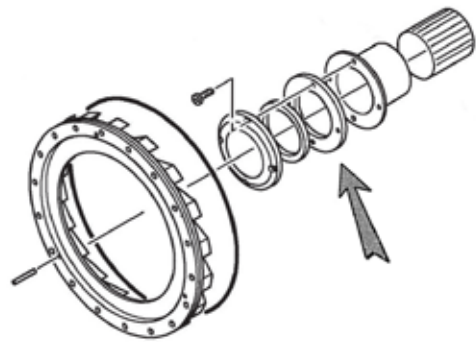
**1814A0000-02**

AIR CYCLE MACHINE

**1263C0000-03**

AIR CYCLE MACHINE

## SPACER



**PMA PN**  
AVUS3455-37A

**OEM PN**  
3455-37A

DRAMATIC COST  
SAVINGS FROM OEM

**100%**  
CUSTOMERS  
SATISFACTION

[CONTACT US TODAY](#)

**Q**

**QUALITY**

& RELIABILITY

**I**

**INVENTORY**

& CONTROL

**P**

**PRICING**

& DELIVERY

# AIRBUS A319 | A320

PMA PRODUCT CATALOG

**1263A0000-03**

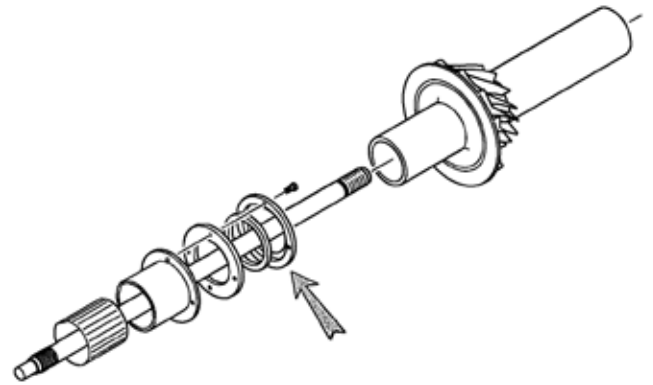
AIR CYCLE MACHINE

**1263C0000-03**

AIR CYCLE MACHINE

## SEAL COVER

Seal Cover.



**PMA PN**

**AVUS3455-38**

**OEM PN**

**3455-38**

DRAMATIC COST  
SAVINGS FROM OEM

**100%**

CUSTOMERS  
SATISFACTION

[CONTACT US TODAY](#)

**Q**

**QUALITY**

& RELIABILITY

**I**

**INVENTORY**

& CONTROL

**P**

**PRICING**

& DELIVERY

# AIRBUS A319 | A320

PMA PRODUCT CATALOG

**1263A0000-03**

AIR CYCLE MACHINE

**1814A0000-02**

AIR CYCLE MACHINE

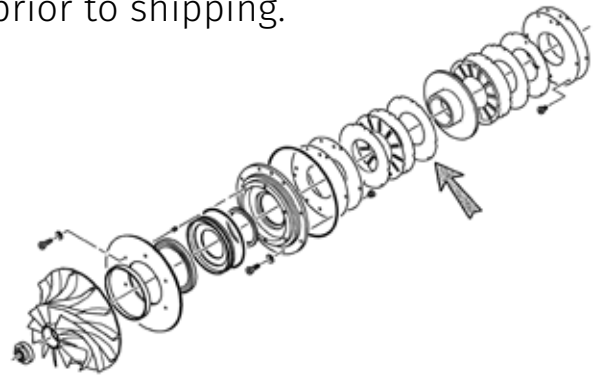
**1263C0000-03**

AIR CYCLE MACHINE

## THRUST BEARING



Thrust Bearing, turbine side.  
All bearings are functional tested  
prior to shipping.



**PMA PN**  
**AVUS3451-018A**

**OEM PN**  
**3451-018A**

DRAMATIC COST  
SAVINGS FROM OEM

**100%**

CUSTOMERS  
SATISFACTION

[CONTACT US TODAY](#)

**Q**

**QUALITY**

& RELIABILITY

**I**

**INVENTORY**

& CONTROL

**P**

**PRICING**

& DELIVERY



# AIRBUS A319 | A320

PMA PRODUCT CATALOG

**1263A0000-03**

AIR CYCLE MACHINE

**1814A0000-02**

AIR CYCLE MACHINE

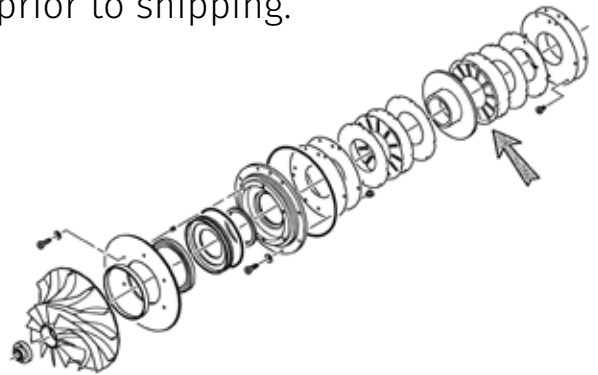
**1263C0000-03**

AIR CYCLE MACHINE

## THRUST BEARING



Thrust Bearing, turbine side.  
All bearings are functional tested  
prior to shipping.



**PMA PN**  
**AVUS3451-019A**

**OEM PN**  
**3451-019A**

DRAMATIC COST  
SAVINGS FROM OEM

**100%**

CUSTOMERS  
SATISFACTION

[CONTACT US TODAY](#)

**Q**

**QUALITY**

& RELIABILITY

**I**

**INVENTORY**

& CONTROL

**P**

**PRICING**

& DELIVERY

# AIRBUS A319 | A320

PMA PRODUCT CATALOG

**1263A0000-03**

AIR CYCLE MACHINE

**1814A0000-02**

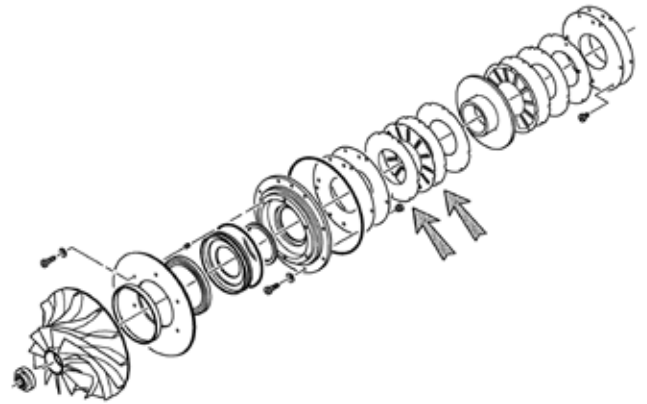
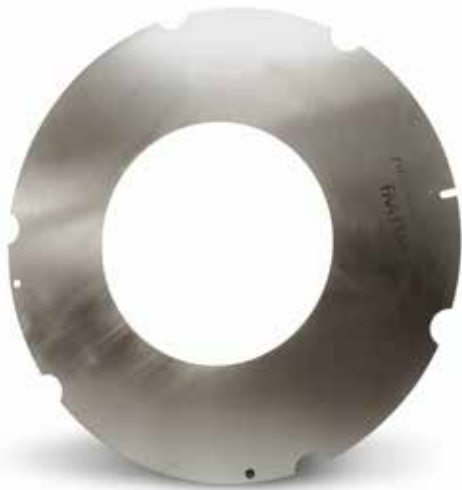
AIR CYCLE MACHINE

**1263C0000-03**

AIR CYCLE MACHINE

## STIFFENER DISC

For use with Thrust Bearing Assembly.



**PMA PN**  
**AVUS3451-46A**

**OEM PN**  
**3451-46A**

DRAMATIC COST  
SAVINGS FROM OEM

**100%**

CUSTOMERS  
SATISFACTION

[CONTACT US TODAY](#)

**Q**

**QUALITY**

& RELIABILITY

**I**

**INVENTORY**

& CONTROL

**P**

**PRICING**

& DELIVERY

# AIRBUS A319 | A320

PMA PRODUCT CATALOG

**1263A0000-03**

AIR CYCLE MACHINE

**1814A0000-02**

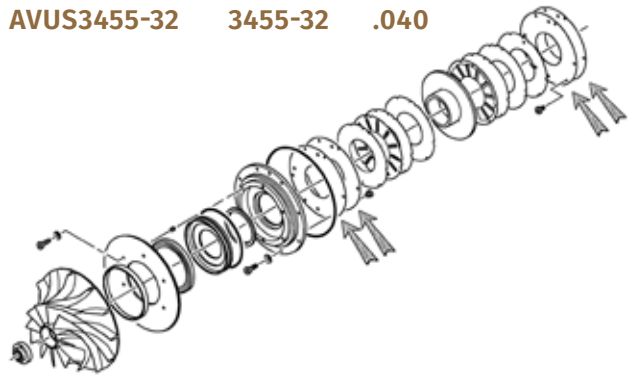
AIR CYCLE MACHINE

## SHIM



Thrust Bearing Shim.

PMA PN	OEM PN	THICKNESS
AVUS3455-30	3455-30	.004
AVUS3455-31	3455-31	.020
AVUS3455-32	3455-32	.040



DRAMATIC COST  
SAVINGS FROM OEM

**100%**

CUSTOMERS  
SATISFACTION

[CONTACT US TODAY](#)

Q

**QUALITY**

& RELIABILITY

I

**INVENTORY**

& CONTROL

P

**PRICING**

& DELIVERY

# AIRBUS A319 | A320

PMA PRODUCT CATALOG

**1263A0000-03**

AIR CYCLE MACHINE

**1814A0000-02**

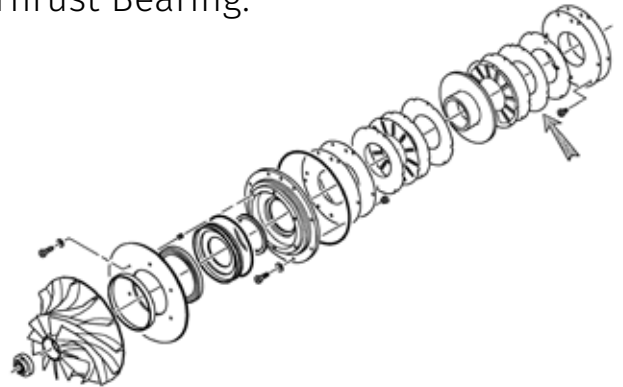
AIR CYCLE MACHINE

**1263C0000-03**

AIR CYCLE MACHINE

## SUPPORT SPRING

Bearing Support Spring, for use with Thrust Bearing.



**PMA PN**  
**AVUS3451-020A**

**OEM PN**  
**3451-020A**

DRAMATIC COST  
SAVINGS FROM OEM

**100%**

CUSTOMERS  
SATISFACTION

[CONTACT US TODAY](#)

**Q**

**QUALITY**

& RELIABILITY

**I**

**INVENTORY**

& CONTROL

**P**

**PRICING**

& DELIVERY

# AIRBUS A319 | A320

PMA PRODUCT CATALOG

**1263A0000-03**

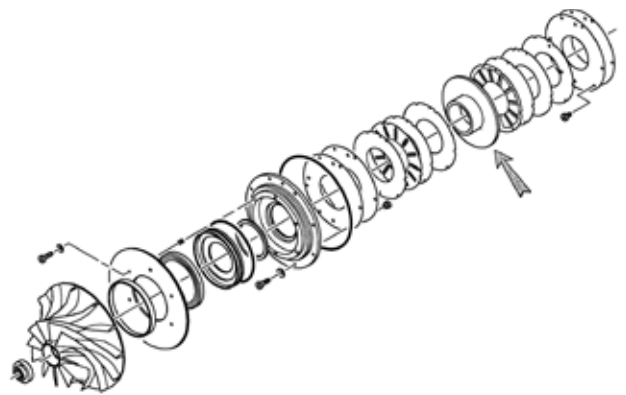
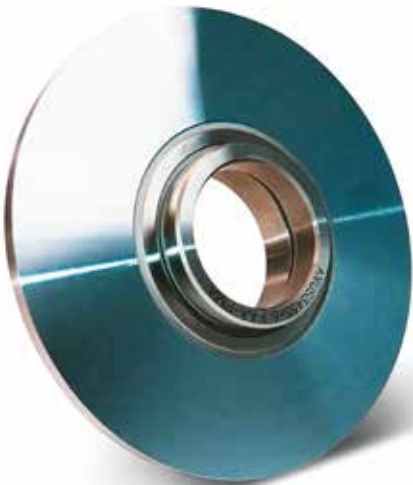
AIR CYCLE MACHINE

**1814A0000-02**

AIR CYCLE MACHINE

**STOP**

Axial Thrust Runner.



**PMA PN**  
AVUS3455-6

**OEM PN**  
3455-6

DRAMATIC COST  
SAVINGS FROM OEM

**100%**  
CUSTOMERS  
SATISFACTION

[CONTACT US TODAY](#)

**Q**

**QUALITY**

& RELIABILITY

**I**

**INVENTORY**

& CONTROL

**P**

**PRICING**

& DELIVERY

# AIRBUS A319 | A320

PMA PRODUCT CATALOG

**1263A0000-03**

AIR CYCLE MACHINE

**1814A0000-02**

AIR CYCLE MACHINE

## COMPRESSOR SHAFT



Fan end Compressor Shaft, repair worn out of tolerance shaft.

1814A0000-02:

**PMA PN**

**AVUS3456-0106-2**

**OEM PN**

**3456-16**

1263A0000-03:

**PMA PN**

**AVUS3455-011-2**

**OEM PN**

**3455-2**

DRAMATIC COST  
SAVINGS FROM OEM

**100%**

CUSTOMERS  
SATISFACTION

[CONTACT US TODAY](#)

**Q**

**QUALITY**

& RELIABILITY

**I**

**INVENTORY**

& CONTROL

**P**

**PRICING**

& DELIVERY

# AIRBUS A319 | A320

PMA PRODUCT CATALOG

**1263A0000-03**

AIR CYCLE MACHINE

**1814A0000-02**

AIR CYCLE MACHINE

## COMPRESSOR SHAFT



Turbine End Compressor Shaft.  
Repair worn out of tolerance Shafts.

1814A0000-02:

**PMA PN**

**AVUS3456-0106-3**

**OEM PN**

**3455-3**

1263A0000-03

**PMA PN**

**AVUS3455-011-3**

**OEM PN**

**3455-3**

DRAMATIC COST  
SAVINGS FROM OEM

**100%**

CUSTOMERS  
SATISFACTION

[CONTACT US TODAY](#)

**Q**

**QUALITY**

& RELIABILITY

**I**

**INVENTORY**

& CONTROL

**P**

**PRICING**

& DELIVERY

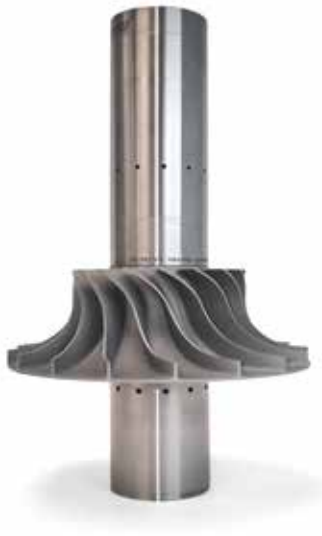
# AIRBUS A319 | A320

PMA PRODUCT CATALOG

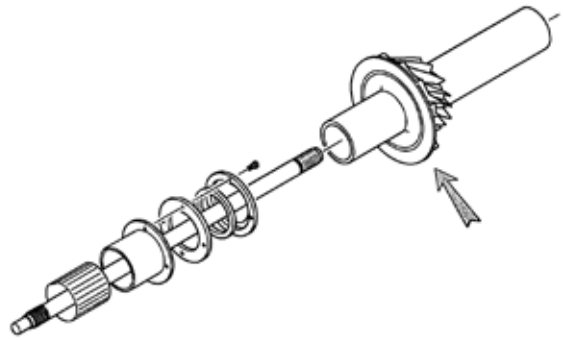
**1263A0000-03**

AIR CYCLE MACHINE

## COMP. SHAFT ASSY



Compressor Shaft Assembly balanced and ready for installation.



**PMA PN**  
AVUS3455-011

**OEM PN**  
3455-011

DRAMATIC COST  
SAVINGS FROM OEM

**100%**  
CUSTOMERS  
SATISFACTION

[CONTACT US TODAY](#)

**Q**

**QUALITY**

& RELIABILITY

**I**

**INVENTORY**

& CONTROL

**P**

**PRICING**

& DELIVERY



# AIRBUS A319 | A320

PMA PRODUCT CATALOG

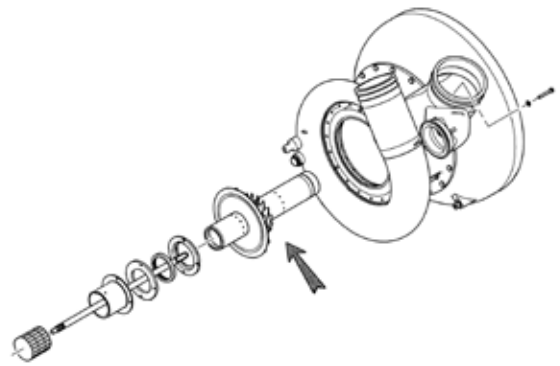
**1814A0000-02**

AIR CYCLE MACHINE

## COMP. SHAFT ASSY



Compressor Shaft Assembly balanced and ready for installation.



**PMA PN**  
AVUS3456-0106

**OEM PN**  
3456-0106

DRAMATIC COST  
SAVINGS FROM OEM

**100%**  
CUSTOMERS  
SATISFACTION

[CONTACT US TODAY](#)

**Q**

**QUALITY**

& RELIABILITY

**I**

**INVENTORY**

& CONTROL

**P**

**PRICING**

& DELIVERY

# AIRBUS A319 | A320

PMA PRODUCT CATALOG

**1263A0000-03**

AIR CYCLE MACHINE

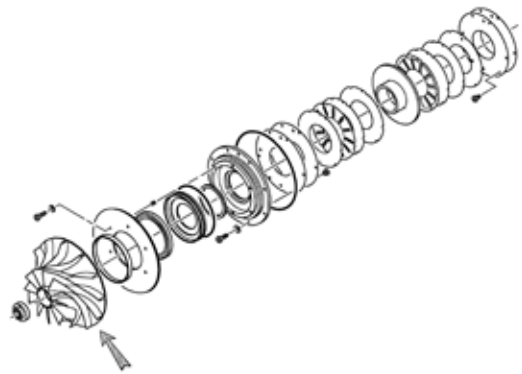
**1814A0000-02**

AIR CYCLE MACHINE

## TURBINE WHEEL



Turbine Wheel Balanced.



**PMA PN**  
AVUS3455-013

**OEM PN**  
3455-013

DRAMATIC COST  
SAVINGS FROM OEM

**100%**

CUSTOMERS  
SATISFACTION

[CONTACT US TODAY](#)

**Q**

**QUALITY**

& RELIABILITY

**I**

**INVENTORY**

& CONTROL

**P**

**PRICING**

& DELIVERY

# AIRBUS A319 | A320

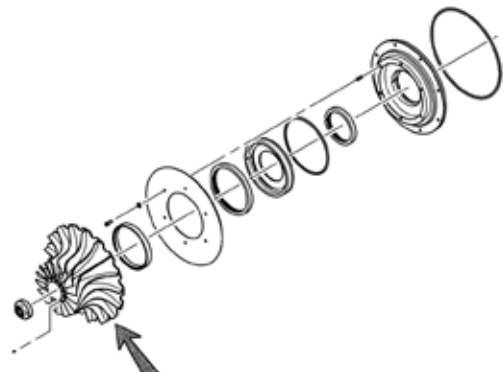
PMA PRODUCT CATALOG

**1814A0000-02**

AIR CYCLE MACHINE

## COMPRESSOR WHEEL

Compressor Wheel.



**PMA PN**  
AVUS3456-0106-1

**OEM PN**  
3456-1

DRAMATIC COST  
SAVINGS FROM OEM

**100%**  
CUSTOMERS  
SATISFACTION

[CONTACT US TODAY](#)

**Q**

**QUALITY**

& RELIABILITY

**I**

**INVENTORY**

& CONTROL

**P**

**PRICING**

& DELIVERY

# AIRBUS A319 | A320

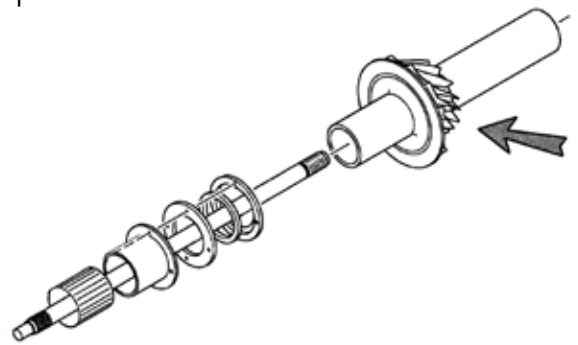
PMA PRODUCT CATALOG

**1263A0000-03**

AIR CYCLE MACHINE

## COMPRESSOR WHEEL

Compressor Wheel.



**PMA PN**  
AVUS3455-011-1

**OEM PN**  
3455-1

DRAMATIC COST  
SAVINGS FROM OEM

**100%**  
CUSTOMERS  
SATISFACTION

[CONTACT US TODAY](#)

Q

**QUALITY**

& RELIABILITY

I

**INVENTORY**

& CONTROL

P

**PRICING**

& DELIVERY

# AIRBUS A319 | A320

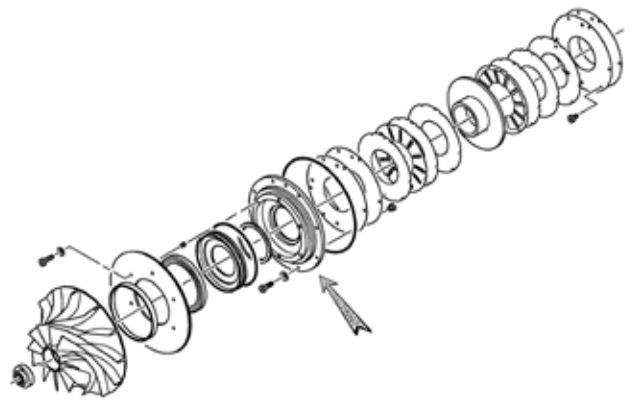
PMA PRODUCT CATALOG

**1263A0000-03**

AIR CYCLE MACHINE

## FLANGE ASSY

Flange Assembly.



**PMA PN**  
AVUS3455-043A

**OEM PN**  
3455-043A

DRAMATIC COST  
SAVINGS FROM OEM

**100%**  
CUSTOMERS  
SATISFACTION

[CONTACT US TODAY](#)

**Q**

**QUALITY**

& RELIABILITY

**I**

**INVENTORY**

& CONTROL

**P**

**PRICING**

& DELIVERY

# AIRBUS A319 | A320

PMA PRODUCT CATALOG

**1263A0000-03**

AIR CYCLE MACHINE

**1814A0000-02**

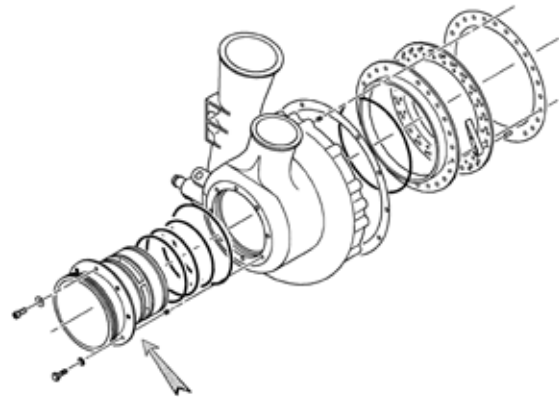
AIR CYCLE MACHINE

**1263C0000-03**

AIR CYCLE MACHINE

## HEATING SLEEVE

Turbine Exducer Heating Sleeve.



**PMA PN**  
**AVUS3455-33**

**OEM PN**  
**3455-33**

DRAMATIC COST  
SAVINGS FROM OEM

**100%**  
CUSTOMERS  
SATISFACTION

[CONTACT US TODAY](#)

**Q**

**QUALITY**

& RELIABILITY

**I**

**INVENTORY**

& CONTROL

**P**

**PRICING**

& DELIVERY

# AIRBUS A319 | A320

PMA PRODUCT CATALOG

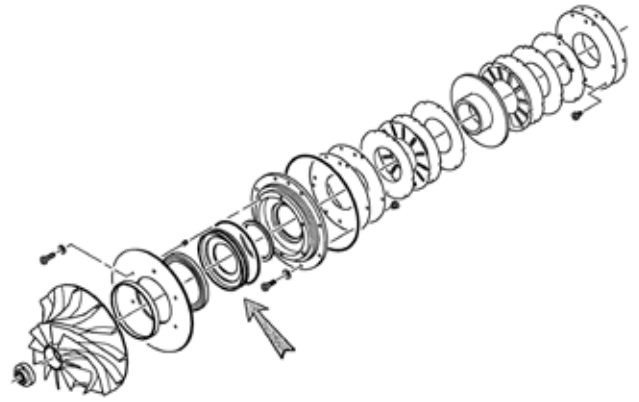
**1263A0000-03**

AIR CYCLE MACHINE

**1263C0000-03**

AIR CYCLE MACHINE

## FLANGE



**PMA PN**  
AVUS3455-69

**OEM PN**  
3455-69

DRAMATIC COST  
SAVINGS FROM OEM

**100%**  
CUSTOMERS  
SATISFACTION

[CONTACT US TODAY](#)

**Q**

**QUALITY**

& RELIABILITY

**I**

**INVENTORY**

& CONTROL

**P**

**PRICING**

& DELIVERY

# AIRBUS A319 | A320

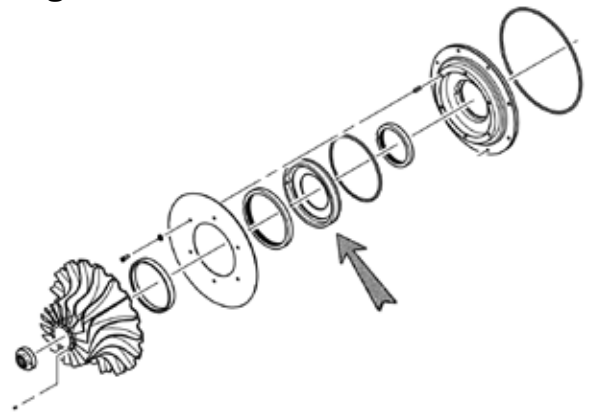
PMA PRODUCT CATALOG

**1814A0000-02**

AIR CYCLE MACHINE

## FLANGE

Flange.



**PMA PN**  
AVUS3456-40

**OEM PN**  
3456-40

DRAMATIC COST  
SAVINGS FROM OEM

**100%**  
CUSTOMERS  
SATISFACTION

[CONTACT US TODAY](#)

**Q**

**QUALITY**

& RELIABILITY

**I**

**INVENTORY**

& CONTROL

**P**

**PRICING**

& DELIVERY



# AIRBUS A319 | A320

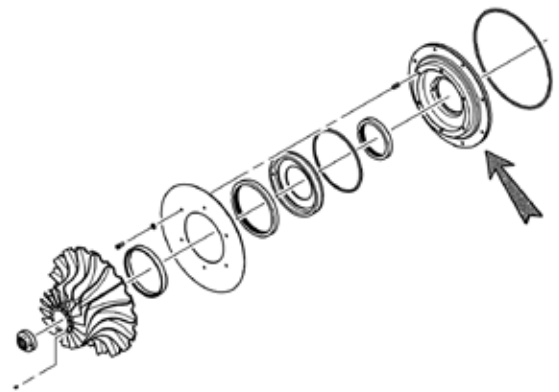
PMA PRODUCT CATALOG

**1814A0000-02**

AIR CYCLE MACHINE

## FLANGE ASSY

Flange Assembly.



**PMA PN**  
AVUS3456-035

**OEM PN**  
3456-035

DRAMATIC COST  
SAVINGS FROM OEM

**100%**  
CUSTOMERS  
SATISFACTION

[CONTACT US TODAY](#)

**Q**

**QUALITY**

& RELIABILITY

**I**

**INVENTORY**

& CONTROL

**P**

**PRICING**

& DELIVERY

# AIRBUS A319 | A320

PMA PRODUCT CATALOG

**1263A0000-03**

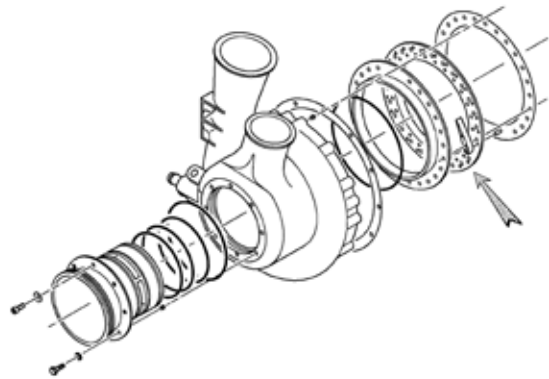
AIR CYCLE MACHINE

**1814A0000-02**

AIR CYCLE MACHINE

## INJECTOR BLADE + FAN ASSY

One piece assembly of Turbine Nozzle Blades and Injector Flange.



**PMA PN**  
AVUS3455-60

**OEM PN**  
3455-60 & 3455-18

DRAMATIC COST  
SAVINGS FROM OEM

**100%**

CUSTOMERS  
SATISFACTION

[CONTACT US TODAY](#)

**Q**

**QUALITY**

& RELIABILITY

**I**

**INVENTORY**

& CONTROL

**P**

**PRICING**

& DELIVERY

# AIRBUS A319 | A320

PMA PRODUCT CATALOG

**1263A0000-03**

AIR CYCLE MACHINE

**1814A0000-02**

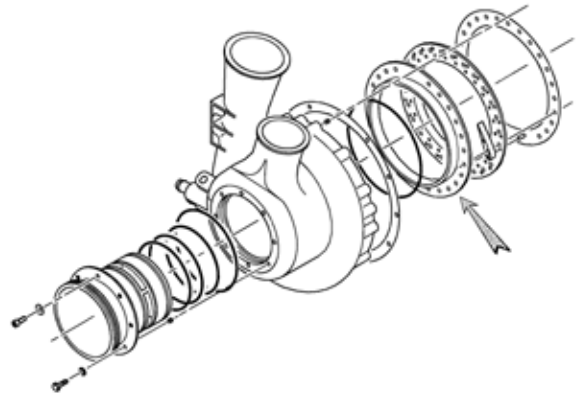
AIR CYCLE MACHINE

**1263C0000-03**

AIR CYCLE MACHINE

## INJECTOR COVER

Injector Cover.



**PMA PN**  
**AVUS3455-17**

**OEM PN**  
**3455-17**

DRAMATIC COST  
SAVINGS FROM OEM

**100%**  
CUSTOMERS  
SATISFACTION

[CONTACT US TODAY](#)

**Q**

**QUALITY**

& RELIABILITY

**I**

**INVENTORY**

& CONTROL

**P**

**PRICING**

& DELIVERY

# AIRBUS A319 | A320

PMA PRODUCT CATALOG

**1263A0000-03**

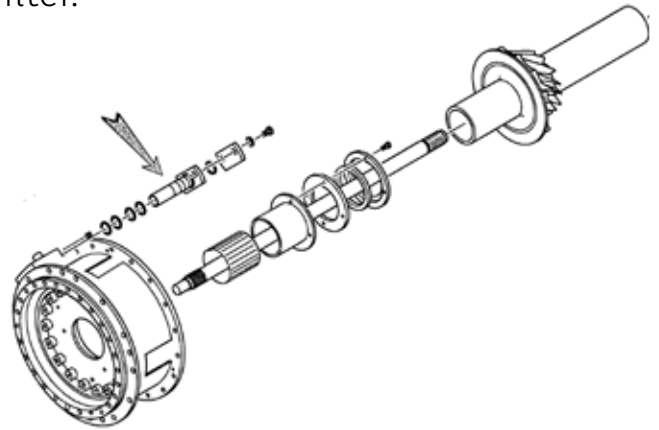
AIR CYCLE MACHINE

**1814A0000-02**

AIR CYCLE MACHINE

## FILTER

Filter.



**PMA PN**  
AVUS3455-25

**OEM PN**  
3455-25

DRAMATIC COST  
SAVINGS FROM OEM

**100%**  
CUSTOMERS  
SATISFACTION

[CONTACT US TODAY](#)

Q

**QUALITY**

& RELIABILITY

I

**INVENTORY**

& CONTROL

P

**PRICING**

& DELIVERY

# AIRBUS A319 | A320

PMA PRODUCT CATALOG

**1263A0000-03**

AIR CYCLE MACHINE

## FAN SHROUD



- Replacement part for damaged Fan Ducting.
- Can also be used to update / repair integrally cast fan ducting on older Compressor Casings (requires machining).

**PMA PN**  
AVUS3455-091

**OEM PN**  
3455-091

DRAMATIC COST  
SAVINGS FROM OEM

**100%**  
CUSTOMERS  
SATISFACTION

[CONTACT US TODAY](#)

**Q**

**QUALITY**

& RELIABILITY

**I**

**INVENTORY**

& CONTROL

**P**

**PRICING**

& DELIVERY

# AIRBUS A319 | A320

PMA PRODUCT CATALOG

**1263A0000-03**

AIR CYCLE MACHINE

**1814A0000-02**

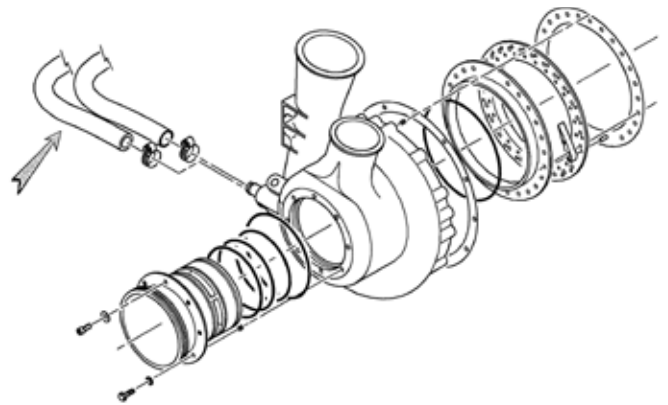
AIR CYCLE MACHINE

**1263C0000-03**

AIR CYCLE MACHINE

## TAPPING DUCT

Anti icing tube



**PMA PN**  
AVUS3455-23

**OEM PN**  
3455-23

DRAMATIC COST  
SAVINGS FROM OEM

**100%**  
CUSTOMERS  
SATISFACTION

[CONTACT US TODAY](#)

**Q**

**QUALITY**

& RELIABILITY

**I**

**INVENTORY**

& CONTROL

**P**

**PRICING**

& DELIVERY

# AIRBUS A319 | A320

PMA PRODUCT CATALOG

**1263A0000-03**

AIR CYCLE MACHINE

**1814A0000-02**

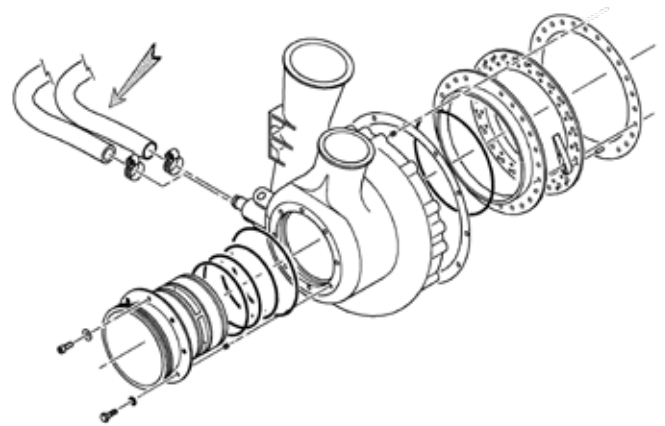
AIR CYCLE MACHINE

**1263C0000-03**

AIR CYCLE MACHINE

## RETURN DUCT

Return Duct Hose.



**PMA PN**  
AVUS3455-24

**OEM PN**  
3455-24

DRAMATIC COST  
SAVINGS FROM OEM

**100%**  
CUSTOMERS  
SATISFACTION

[CONTACT US TODAY](#)

**Q**

**QUALITY**

& RELIABILITY

**I**

**INVENTORY**

& CONTROL

**P**

**PRICING**

& DELIVERY

# AIRBUS A319 | A320

PMA PRODUCT CATALOG

**1263A0000-03**

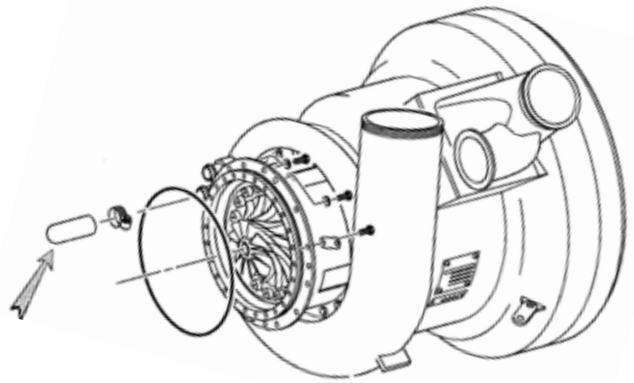
AIR CYCLE MACHINE

**1814A0000-02**

AIR CYCLE MACHINE

## BLANKING DUCT

Blanking Duct Hose Cap.



**PMA PN**

**AVUS3455-42**

**OEM PN**

**3455-42**

DRAMATIC COST  
SAVINGS FROM OEM

**100%**

CUSTOMERS  
SATISFACTION

[CONTACT US TODAY](#)

**Q**

**QUALITY**

& RELIABILITY

**I**

**INVENTORY**

& CONTROL

**P**

**PRICING**

& DELIVERY



# AIRBUS A319 | A320

PMA PRODUCT CATALOG

**1263A0000-03**

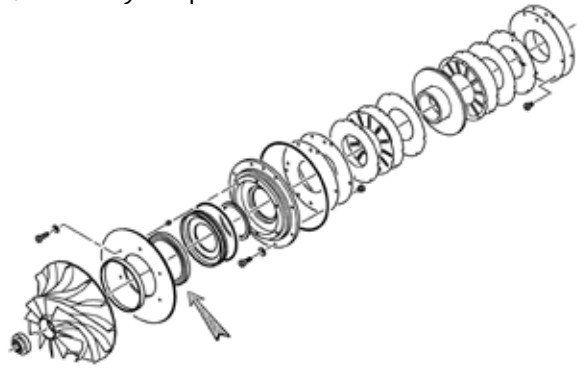
AIR CYCLE MACHINE

**1263C0000-03**

AIR CYCLE MACHINE

## SEALING RING

Turbine end shaft seal.  
Quantity: 1 per ACM.



**PMA PN**  
AVUS3455-050

**OEM PN**  
3455-050

DRAMATIC COST  
SAVINGS FROM OEM

**100%**  
CUSTOMERS  
SATISFACTION

[CONTACT US TODAY](#)

Q

**QUALITY**

& RELIABILITY

I

**INVENTORY**

& CONTROL

P

**PRICING**

& DELIVERY

# AIRBUS A319 | A320

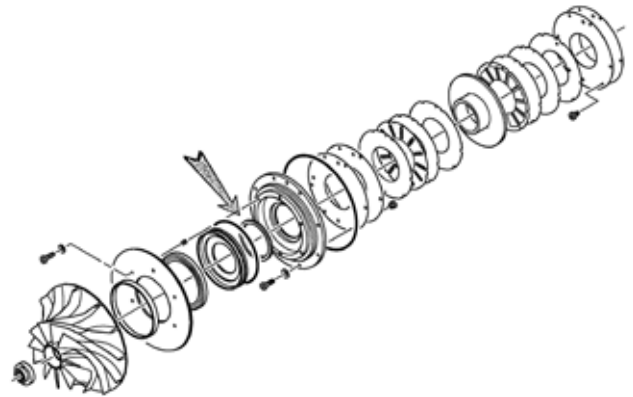
PMA PRODUCT CATALOG

**1263A0000-03**

AIR CYCLE MACHINE

## SEALING RING

Compressor Shaft Seal.  
Quantity: 3 per ACM



AVUS3455-070

3455-070

DRAMATIC COST  
SAVINGS FROM OEM

**100%**  
CUSTOMERS  
SATISFACTION

[CONTACT US TODAY](#)

Q

**QUALITY**

& RELIABILITY

I

**INVENTORY**

& CONTROL

P

**PRICING**

& DELIVERY

# AIRBUS A319 | A320

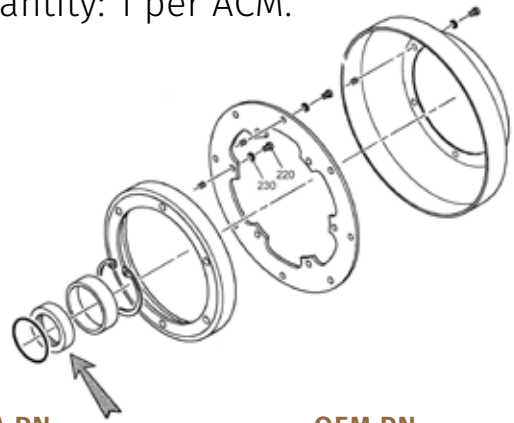
PMA PRODUCT CATALOG

**1263A0000-03**  
AIR CYCLE MACHINE

**1263C0000-03**  
AIR CYCLE MACHINE

## SEALING RING

Fan end compressor shaft seal.  
Quantity: 1 per ACM.



**PMA PN**  
**AVUS3455-080**

**OEM PN**  
**3455-080**

DRAMATIC COST  
SAVINGS FROM OEM

**100%**  
CUSTOMERS  
SATISFACTION

[CONTACT US TODAY](#)

**Q**

**QUALITY**

& RELIABILITY

**I**

**INVENTORY**

& CONTROL

**P**

**PRICING**

& DELIVERY

# AIRBUS A319 | A320

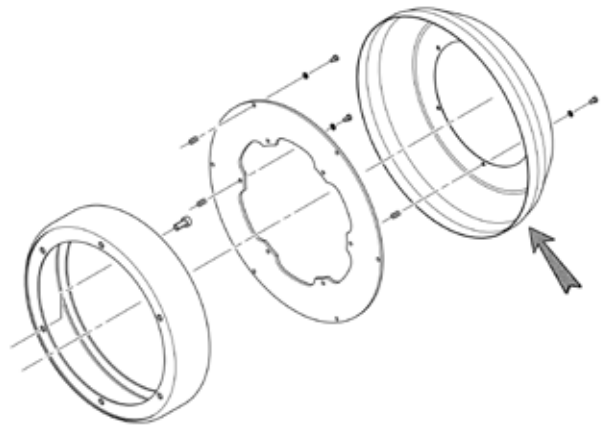
PMA PRODUCT CATALOG

**1814A0000-02**

AIR CYCLE MACHINE

## SHROUD

Fan end shroud.



AVUS3456-22

3456-22

DRAMATIC COST  
SAVINGS FROM OEM

**100%**  
CUSTOMERS  
SATISFACTION

[CONTACT US TODAY](#)

Q

**QUALITY**

& RELIABILITY

I

**INVENTORY**

& CONTROL

P

**PRICING**

& DELIVERY

# AIRBUS A319 | A320

PMA PRODUCT CATALOG

**1263A0000-03**

AIR CYCLE MACHINE

**1814A0000-02**

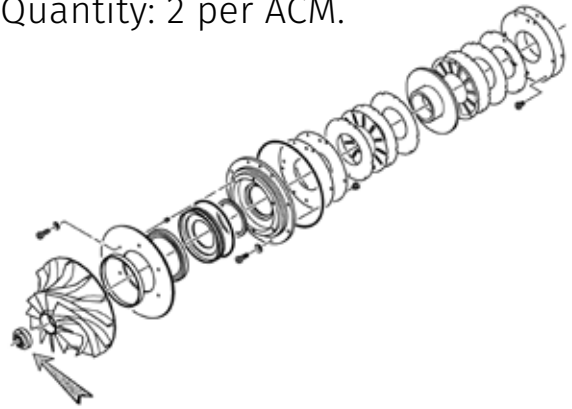
AIR CYCLE MACHINE

**1263C0000-03**

AIR CYCLE MACHINE

## NUT

Tie Rod Nut.  
Quantity: 2 per ACM.



**PMA PN**  
AVUS3455-9

**OEM PN**  
3455-9

DRAMATIC COST  
SAVINGS FROM OEM

**100%**  
CUSTOMERS  
SATISFACTION

[CONTACT US TODAY](#)

**Q**

**QUALITY**

& RELIABILITY

**I**

**INVENTORY**

& CONTROL

**P**

**PRICING**

& DELIVERY

# AIRBUS A319 | A320

PMA PRODUCT CATALOG

**1263A0000-03**

AIR CYCLE MACHINE

**1814A0000-02**

AIR CYCLE MACHINE

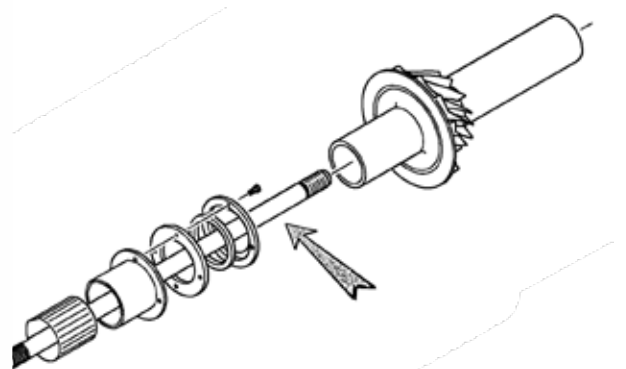
**1263C0000-03**

AIR CYCLE MACHINE

## TIE ROD



Rod.



PN  
3455-8

OEM PN  
3455-8

DRAMATIC COST  
SAVINGS FROM OEM

**100%**  
CUSTOMERS  
SATISFACTION

[CONTACT US TODAY](#)

Q

**QUALITY**

& RELIABILITY

I

**INVENTORY**

& CONTROL

P

**PRICING**

& DELIVERY

# AIRBUS A319 | A320

PMA PRODUCT CATALOG

**1263A0000-03**

AIR CYCLE MACHINE

**1814A0000-02**

AIR CYCLE MACHINE

**1263C0000-03**

AIR CYCLE MACHINE

## SHOULDERED RING

For mounting Brackets.

Quantity: 4 per ACM.



PMA PN

AVUSS4633A04P

OEM PN

S4633A04P

DRAMATIC COST  
SAVINGS FROM OEM

**100%**

CUSTOMERS  
SATISFACTION

[CONTACT US TODAY](#)

Q

**QUALITY**

& RELIABILITY

I

**INVENTORY**

& CONTROL

P

**PRICING**

& DELIVERY

# AIRBUS A319 | A320

PMA PRODUCT CATALOG

**1263A0000-03**

AIR CYCLE MACHINE

**1814A0000-02**

AIR CYCLE MACHINE

**1263C0000-03**

AIR CYCLE MACHINE

## SHOULDERED RING

For Mounting Brackets.

Quantity: 4 per ACM.



**PMA PN**

**AVUSS4633A03P**

**OEM PN**

**S4633A03P**

DRAMATIC COST  
SAVINGS FROM OEM

**100%**

CUSTOMERS  
SATISFACTION

[CONTACT US TODAY](#)

**Q**

**QUALITY**

& RELIABILITY

**I**

**INVENTORY**

& CONTROL

**P**

**PRICING**

& DELIVERY



# AIRBUS A319 | A320

PMA PRODUCT CATALOG

**1263A0000-03**

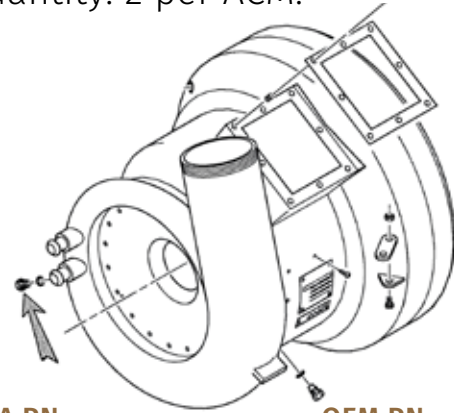
AIR CYCLE MACHINE

**1263C0000-03**

AIR CYCLE MACHINE

## PLUG

Housing Plug.  
Quantity: 2 per ACM.



**PMA PN**  
**AVUSS4511**

**OEM PN**  
**S4511**

DRAMATIC COST  
SAVINGS FROM OEM

**100%**  
CUSTOMERS  
SATISFACTION

[CONTACT US TODAY](#)

**Q**

**QUALITY**

& RELIABILITY

**I**

**INVENTORY**

& CONTROL

**P**

**PRICING**

& DELIVERY

# AIRBUS A319 | A320

PMA PRODUCT CATALOG

**1263A0000-03**

AIR CYCLE MACHINE

**1814A0000-02**

AIR CYCLE MACHINE

## SHIM



Nozzle Ring Shims:

PMA PN	OEM PN	THICKNESS
AVUS3455-26	3455-26	.004
AVUS3455-27	3455-27	.020

Turbine Scroll Shims:

AVUS3455-28	3455-28	.004
AVUS3455-29	3455-29	.020

DRAMATIC COST  
SAVINGS FROM OEM

**100%**

CUSTOMERS  
SATISFACTION

[CONTACT US TODAY](#)

Q

**QUALITY**

& RELIABILITY

I

**INVENTORY**

& CONTROL

P

**PRICING**

& DELIVERY

# AIRBUS A319 | A320

PMA PRODUCT CATALOG

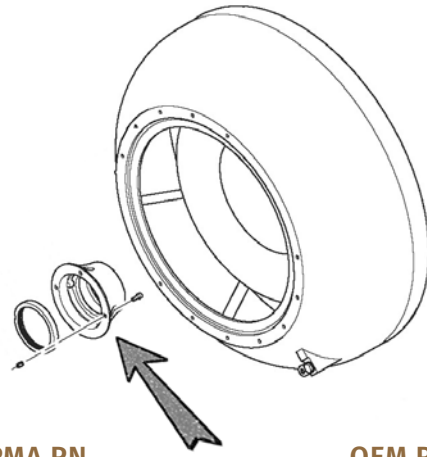
**1814A0000-02**

AIR CYCLE MACHINE

## COVER FAN



Fan End Seal Cover.



**PMA PN**  
**AVUS3456-39**

**OEM PN**  
**3456-39**

DRAMATIC COST  
SAVINGS FROM OEM

**100%**  
CUSTOMERS  
SATISFACTION

[CONTACT US TODAY](#)

**Q**

**QUALITY**

& RELIABILITY

**I**

**INVENTORY**

& CONTROL

**P**

**PRICING**

& DELIVERY

# AIRBUS A319 | A320

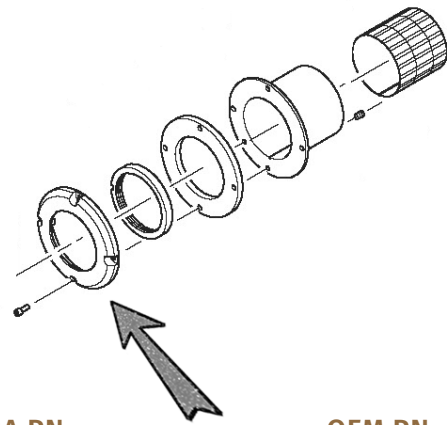
PMA PRODUCT CATALOG

**1814A0000-02**

AIR CYCLE MACHINE

## SEAL COVER

Seal Cover.



**PMA PN**  
AVUS3456-43

**OEM PN**  
3456-43

DRAMATIC COST  
SAVINGS FROM OEM

**100%**  
CUSTOMERS  
SATISFACTION

[CONTACT US TODAY](#)

**Q**

**QUALITY**

& RELIABILITY

**I**

**INVENTORY**

& CONTROL

**P**

**PRICING**

& DELIVERY

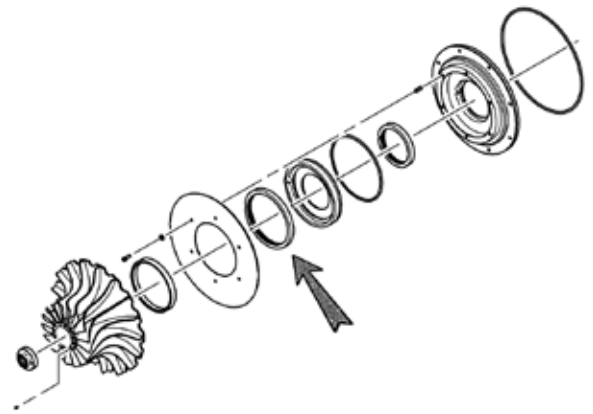
# AIRBUS A319 | A320

PMA PRODUCT CATALOG

**1814A0000-02**

AIR CYCLE MACHINE

## SEALING RING



PMA PN  
AVUS3456-47

OEM PN  
3456-47

DRAMATIC COST  
SAVINGS FROM OEM

**100%**  
CUSTOMERS  
SATISFACTION

[CONTACT US TODAY](#)

Q

**QUALITY**

& RELIABILITY

I

**INVENTORY**

& CONTROL

P

**PRICING**

& DELIVERY

# AIRBUS A319 | A320

PMA PRODUCT CATALOG

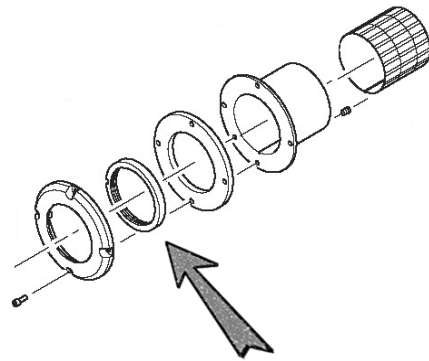
**1814A0000-02**

AIR CYCLE MACHINE

## SEALING RING



Compressor Shaft Seal  
Quantitv: 4 per ACM.



**PMA PN**  
AVUS3456-48

**OEM PN**  
3456-48

DRAMATIC COST  
SAVINGS FROM OEM

**100%**  
CUSTOMERS  
SATISFACTION

[CONTACT US TODAY](#)

**Q**

**QUALITY**

& RELIABILITY

**I**

**INVENTORY**

& CONTROL

**P**

**PRICING**

& DELIVERY

# AIRBUS A319 | A320

PMA PRODUCT CATALOG

**1263A0000-02**

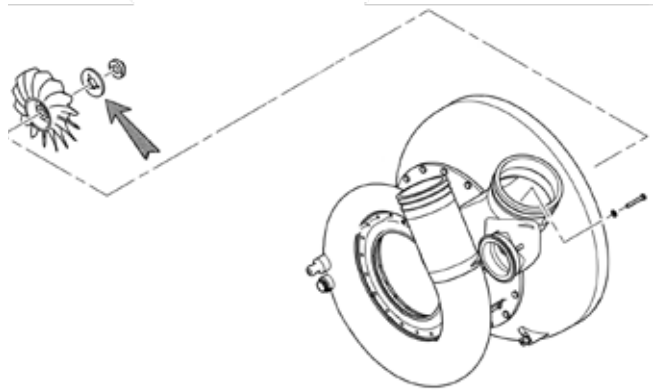
AIR CYCLE MACHINE

**1814A0000-02**

AIR CYCLE MACHINE

## WASHER

Balancing Washer



**PMA PN**  
**AVUS3456-25**

**OEM PN**  
**3456-25**

DRAMATIC COST  
SAVINGS FROM OEM

**100%**  
CUSTOMERS  
SATISFACTION

[CONTACT US TODAY](#)

**Q**

**QUALITY**

& RELIABILITY

**I**

**INVENTORY**

& CONTROL

**P**

**PRICING**

& DELIVERY

# AIRBUS A319 | A320

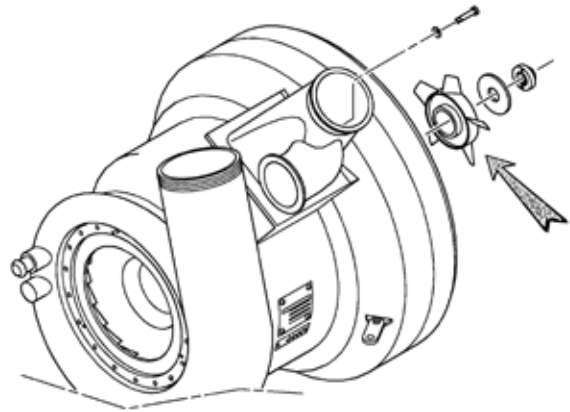
PMA PRODUCT CATALOG

**1263A0000-03**

AIR CYCLE MACHINE

## FAN WHEEL

Cooling Fan.



**PMA PN**  
**AVUS3455-4**

**OEM PN**  
**3455-4**

DRAMATIC COST  
SAVINGS FROM OEM

**100%**

CUSTOMERS  
SATISFACTION

[CONTACT US TODAY](#)

**Q**

**QUALITY**

& RELIABILITY

**I**

**INVENTORY**

& CONTROL

**P**

**PRICING**

& DELIVERY



# AIRBUS A319 | A320

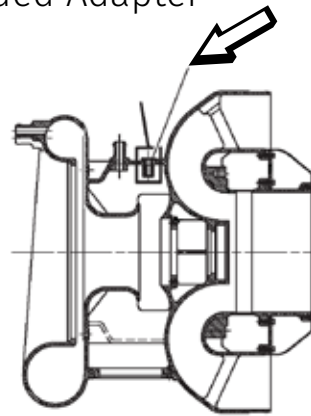
PMA PRODUCT CATALOG

**1263A0000-03**

AIR CYCLE MACHINE

## INSERT

Threaded Adapter



**PMA PN**  
AVUS3455-78R

**OEM PN**  
3455-78R

DRAMATIC COST  
SAVINGS FROM OEM

**100%**  
CUSTOMERS  
SATISFACTION

[CONTACT US TODAY](#)

**Q**

**QUALITY**

& RELIABILITY

**I**

**INVENTORY**

& CONTROL

**P**

**PRICING**

& DELIVERY

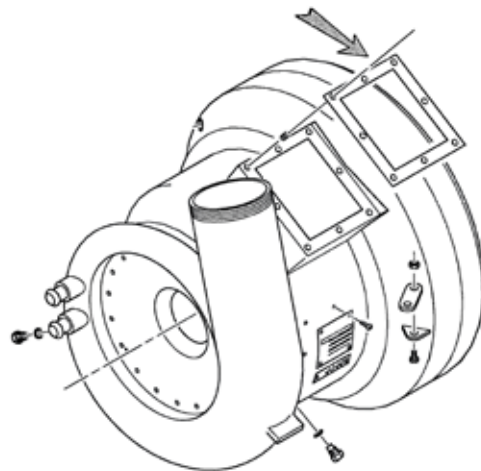
# AIRBUS A319 | A320

PMA PRODUCT CATALOG

**1263A0000-03**

AIR CYCLE MACHINE

## GASKET



**PMA PN**  
AVUS3455-71

**OEM PN**  
3455-71

DRAMATIC COST  
SAVINGS FROM OEM

**100%**  
CUSTOMERS  
SATISFACTION

[CONTACT US TODAY](#)

**Q**

**QUALITY**

& RELIABILITY

**I**

**INVENTORY**

& CONTROL

**P**

**PRICING**

& DELIVERY

# AIRBUS A319 | A320

PMA PRODUCT CATALOG

**1263A0000-03**

AIR CYCLE MACHINE

**1814A0000-02**

AIR CYCLE MACHINE

## O-RING / PACKING



### PMA PN

AVUSS602-102X2

AVUSS602-148X2

AVUSS602-15X1-5

AVUSS602-160X2

AVUSS602-205X2-5

AVUSS602-90X2

AVUSS621-13X1-5

AVUSS621-14X1-78

AVUSS621-185X2-5

### OEM PN

S602-102X2

S602-148X2

S602-15X1-5

S602-160X2

S602-205X2-5

S602-90X2

S621-13X1-5

S621-14X1-78

S621-185X2-5

DRAMATIC COST  
SAVINGS FROM OEM

**100%**

CUSTOMERS  
SATISFACTION

[CONTACT US TODAY](#)

Q

**QUALITY**

& RELIABILITY

I

**INVENTORY**

& CONTROL

P

**PRICING**

& DELIVERY

# AIRBUS A319 | A320

PMA PRODUCT CATALOG

**1263A0000-03**

AIR CYCLE MACHINE

## PROTECTIVE COVER



DRAMATIC COST  
SAVINGS FROM OEM

**100%**

CUSTOMERS  
SATISFACTION

[CONTACT US TODAY](#)

**Q**

**QUALITY**

& RELIABILITY

**I**

**INVENTORY**

& CONTROL

**P**

**PRICING**

& DELIVERY



## **AVIATRON INC.**

**25 CUSTOMS DR.  
S. BURLINGTON, VT 05403  
CONTACT US TODAY  
CALL BY PHONE  
(802) 865-9318**

**VISIT OUR WEBSITE AT  
[WWW.AVIATRON.COM](http://WWW.AVIATRON.COM)**

MEDIA KIT  
AVIATRON INC.